

IN-VEHICLE SERVICE (Continued)

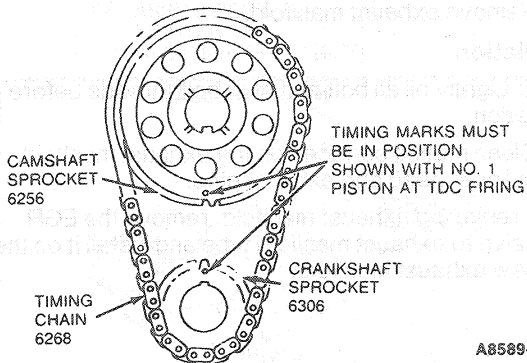
Timing Chain

Tool Required:

- Front Cover Seal Replacer T70P-6B070-A

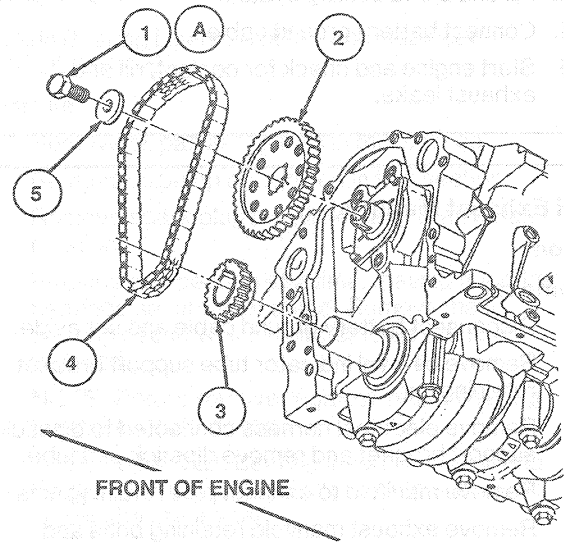
Removal

1. Disconnect battery ground cable.
2. Drain cooling system.
3. Drain crankcase.
4. Remove crankshaft pulley and damper as outlined.
5. Remove timing cover as outlined.
6. Rotate crankshaft until No. 1 piston is at top dead center (TDC) and the timing marks are aligned as illustrated.
7. Remove camshaft sprocket retaining bolt and washer.
8. Check timing chain deflection as outlined for excessive wear.
9. Slide sprockets and timing chain forward and remove as an assembly.
10. Clean timing cover and oil pan sealing surfaces of all gasket material and silicone sealer.



Installation

1. Clean and inspect all parts before installation.
2. Slide sprockets and timing chain on as an assembly with timing marks aligned as illustrated.



Item	Part Number	Description
1A	6279	Bolt
2	6256	Camshaft Sprocket
3	6306	Crankshaft Sprocket
4	6268	Timing Chain Lubricate With Oil
5	6278	Washer-Cam Sprocket
A		Tighten to 50-70 N-m (37-51 Lb-Ft)

TA8590C

CAUTION: The camshaft bolt has a drilled oil passage in it for timing chain lubrication. If damaged do not replace with standard bolt. Clean oil passage with solvent.

3. Install camshaft sprocket retaining bolt and washer. Tighten bolt to 63 N-m (46 lb-ft). Lubricate chain and sprockets with engine oil.
4. Inspect timing cover crankshaft seal for burrs or cuts. If required, replace seal using Front Cover Seal Replacer T70P-6B070-A.
5. Position timing cover gasket onto cylinder block alignment dowels.
6. Install timing cover onto cylinder block using caution to not damage seal.
7. Install bolts and tighten as outlined under Timing Cover Removal and Installation.
8. Install oil pan and new gasket as outlined.
9. Install water pump if removed.
10. Install crankshaft damper and pulley as outlined in this section.
11. Install front end accessory drive components as outlined.
12. Fill crankcase with the correct viscosity and amount of engine oil.