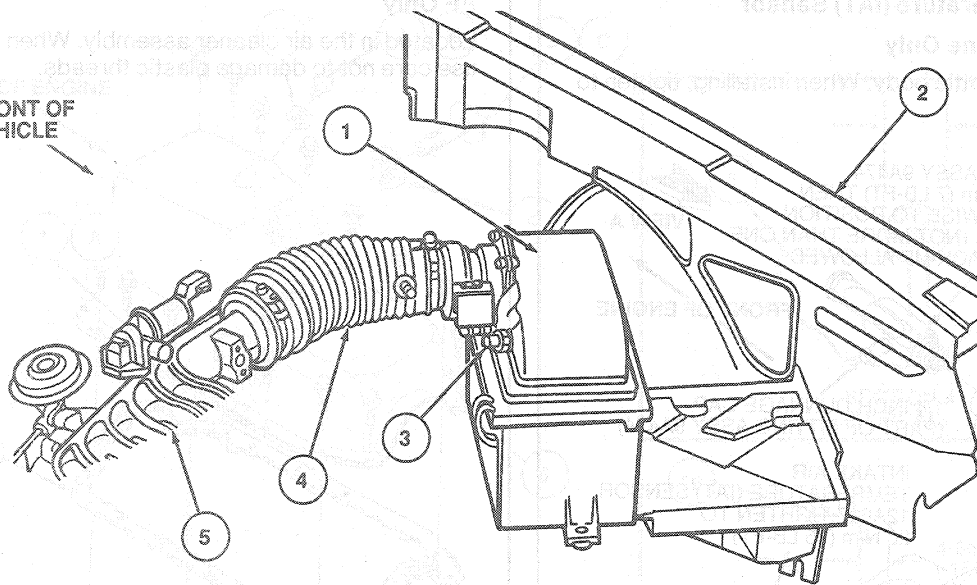


IN-VEHICLE SERVICE (Continued)

(Continued)

FRONT OF VEHICLE



A16357-A

| Item | Part Number | Description |
|------|-------------|-------------------------------|
| 1 | 9600 | Engine Air Cleaner |
| 2 | — | LH Inner Fender |
| 3 | 12A697 | Intake Air Temperature Sensor |
| 4 | 9B659 | Air Cleaner Outlet Tube |
| 5 | 9E926 | Throttle Body |

Heated Oxygen Sensor (HO2S)

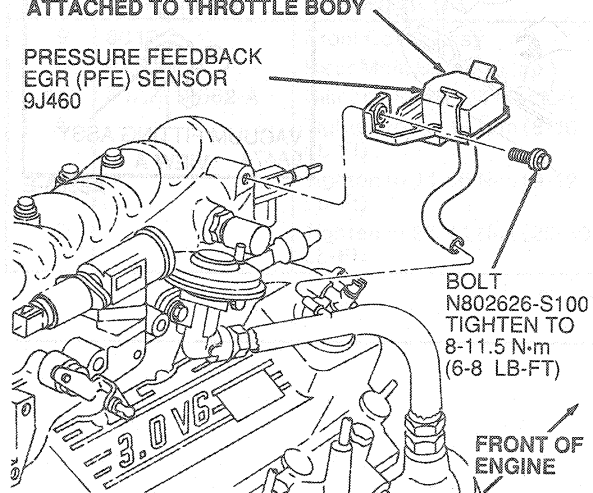
Located in the inlet pipes. When installing, tighten to 41 N·m (30 lb-ft).

Pressure Feedback EGR (PFE) Sensor — Unleaded Gasoline Only

Located on throttle body with a hose connected to EGR valve to exhaust manifold tube. Sensor is retained by a clip.

NOTE: ELECTRICAL CONNECTION TO 9J433 TO BE MADE BEFORE BRACKET IS ATTACHED TO THROTTLE BODY

PRESSURE FEEDBACK EGR (PFE) SENSOR 9J460



A14929-C