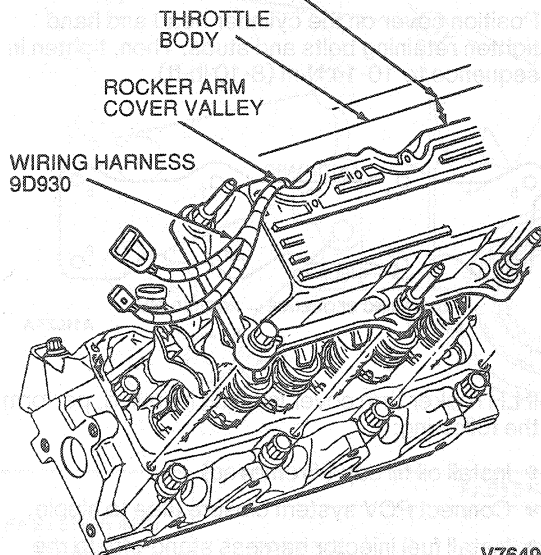


## IN-VEHICLE SERVICE (Continued)

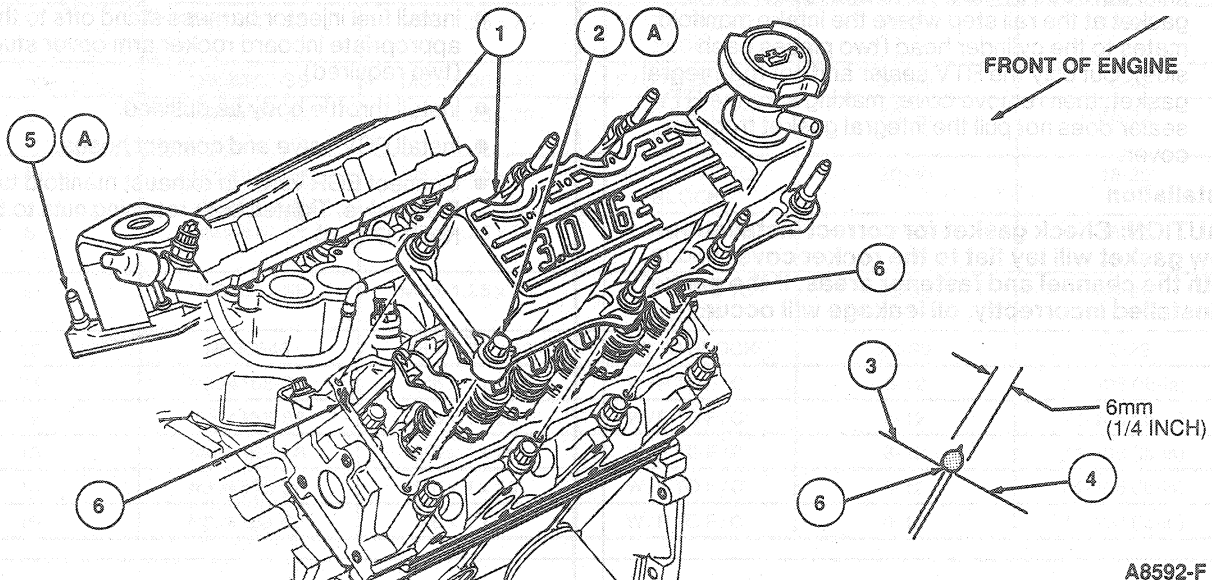
For FF only, if RH rocker cover is being installed, perform the following:

**CAUTION: Fuel charging wiring (9D930) connection must face the RH shock tower. Damage may occur to injector and fuel charging wiring if operation is not done.**

**NOTE: CHECK DISTANCE BETWEEN THROTTLE BODY AND ROCKER ARM COVER FOR WIRING HARNESS CLEARANCE THROUGH ROCKER ARM COVER VALLEY.**



Unleaded Gasoline Shown, FF Similar



- Position fuel charging wiring through valley of rocker covers to supply needed clearance.
  - Install throttle body as outlined.
  - Install PCV valve and connect hoses.
  - Connect EGR valve to exhaust manifold tube to EGR valve. Tighten both retaining nuts to 50 N-m (37 lb-ft).
5. Connect ignition wires to spark plugs. Install ignition wire separator stand-offs to the appropriate rocker arm cover studs (three each side).
  6. Connect battery ground cable.
  7. Start engine and check for oil and vacuum leaks.