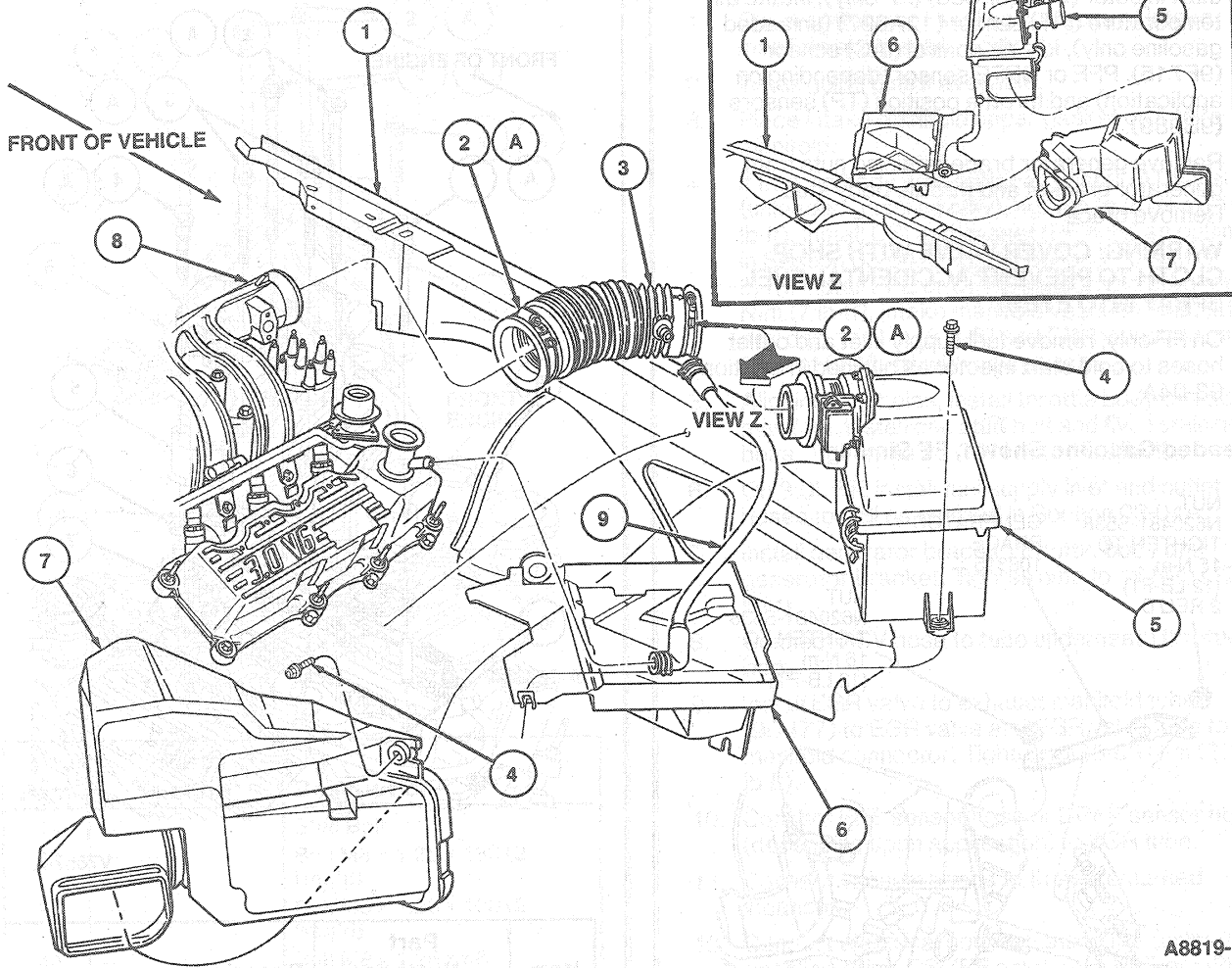


IN-VEHICLE SERVICE (Continued)



A8819-F

Item	Part Number	Description
1	—	Fender Apron
2A	8287	Hose Clamp (2 Req'd)
3	9B659	Air Cleaner Outlet Tube
4	N806709-S1413	Screw
5	9600	Air Cleaner Assy

(Continued)

Item	Part Number	Description
6	—	Battery Tray
7	9F763	Engine Air Intake Resonator
8	9E926	Throttle Body
9	6A664	PCV System Closure Tube
A		Tighten to 2.7-5.4 N·m (28-48 Lb·In)

4. Disconnect throttle cable from throttle body (TB) (9E926) lever.
5. Remove two throttle cable bracket retaining bolts from side of throttle body and remove bracket.
6. Mark location and remove vacuum hoses attached to vacuum tree and exhaust gas recirculation (EGR) valve.
NOTE: 3.0L FF uses a differential pressure feedback EGR (DPFE) system.

7. Disconnect pressure feedback EGR (PFE) sensor (9J460) hose from EGR tube.
8. Loosen EGR tube nuts at EGR valve and EGR valve tube to manifold connector (9F485). Remove or rotate tube out of the way.
9. Remove positive crankcase ventilation (PCV) hose from the tube underneath throttle body.