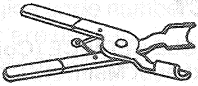
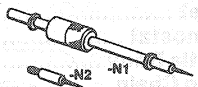
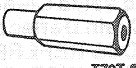
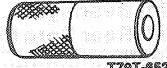





**SPECIAL SERVICE TOOLS (Continued)**

Tool Number/ Description	Illustration
T74P-6666-A Spark Plug Wire Remover	 T74P-6666-A
T78P-3504-N Seal Remover	 T78P-3504-N
T79T-6527-A Rocker Arm Stud Remover	 T79T-6527-A
T79T-6527-B Rocker Arm Stud Replacer	 T79T-6527-B
T86L-6565-A Valve Spring Compressor	 T86L-6565-A
T89P-6500-A Tappet Compressor	 T89P-6500-A
T89P-6500-B Tappet Holder	 T89P-6500-B

Tool Number	Description
D78P-4201-B	Dial Indicator Mag. Base
D78P-4201-F	Dial Indicator Bracketry
D78P-4201-G	Dial Indicator 1" Travel
D79P-100-A	Impact Slide Hammer
D79P-6666-A	Spark Plug Boot Puller
D81L-6002-A	Oil Stone
D81L-6002-B	Plastigage
D81L-6002-D	Piston Ring Groove Cleaner
D81P-6002-E	Valve Seat Runout Gauge
D81P-6666-A	Spark Tester
D83L-4201-A	Straight Edge
TOOL-6500-E	Hydraulic Tappet Leakdown Tester
TOOL-6505-E	Valve Stem Clearance Tool
TOOL-6513-DD	Valve/Clutch Spring Tester
TOOL-6565-AB	Cup Shaped Adapter

**ROTUNDA EQUIPMENT**

Model	Description
014-00282	Dial Indicator with Bracketry
014-00705	Engine Cylinder Leak Detection Kit
059-00009	Compression Tester
112-00030	Oil Leak Detector
139-00041	Motorized Valve Refacer
139-00061	Valve Seat Cutter Kit