

REMOVAL AND INSTALLATION (Continued)

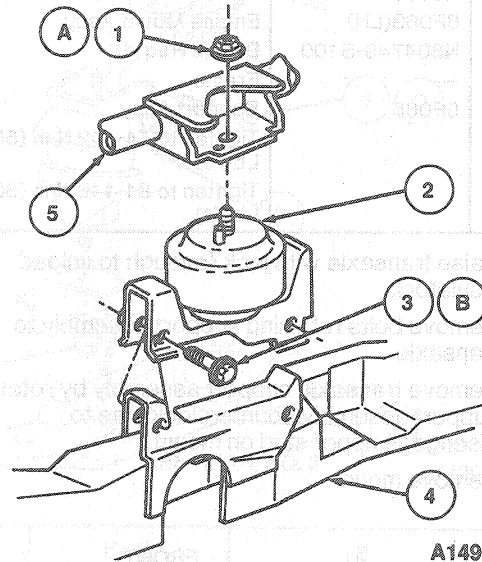
Removal

1. Remove mount upper retaining nut through engine compartment between A/C compressor and compressor bracket using a long extension and an 18mm swivel socket.
2. Install Three Bar Engine Support D88L-6000-A or equivalent.
3. Raise vehicle on hoist. Refer to Section 00-02.
4. Loosen RH rear mount lower retaining nut.
5. Remove RH front mount lower retaining nut.
6. Lower vehicle.
7. Raise engine approximately 25mm (1 inch) using engine support tool.
8. Raise vehicle.
9. Remove engine mount.

Installation

1. Install engine mount.
2. Lower vehicle.
3. Lower engine using engine support tool.
4. Raise vehicle.
5. Install RH front mount lower retaining nut and tighten to 75-102 N·m (55-75 lb-ft).
NOTE: During installation of mount, hold lower can to prevent twisting when lower nut is tightened.
6. Tighten RH rear lower mount retaining nut to 75-102 N·m (55-75 lb-ft).
7. Lower vehicle.
8. Remove engine support tool.
9. Install mount upper retaining nut through engine compartment between A/C compressor and compressor bracket using a long extension and an 18mm swivel socket.
10. Tighten mount upper retaining nut to 54-75 N·m (40-55 lb-ft).

Transaxle Hydramount Assembly, LH



A14926-C

Item	Part Number	Description
1A	N800937-S102	Nut
2	6F063(LH)	Engine Mount Assy
3B	N804749-S100	Bolt (2 Req'd)
4	—	Frame
5	6F065	Support Assy
A		Tighten to 74-102 N·m (55-75 Lb-Ft)
B		Tighten to 81-116 N·m (60-85 Lb-Ft)

Removal

1. Raise vehicle on hoist. Refer to Section 00-02.
2. Remove tire and wheel.
3. Place a jack and wood block in a suitable place under the transaxle and support the transaxle.
4. Remove the nut retaining the transaxle mount to the support assembly.
5. Remove two through bolts retaining the transaxle mount to the frame.
6. Raise the transaxle with the jack (enough to unload mount).
7. Remove the bolts retaining the support assembly to the transaxle.
8. Remove transaxle support assembly by rotating support assembly counterclockwise to disengage upper stud on mount.
9. Remove mount.

Installation

1. Loosely install mount.
2. Attach support assembly to the transaxle and tighten to 54-75 N·m (40-55 lb-ft).