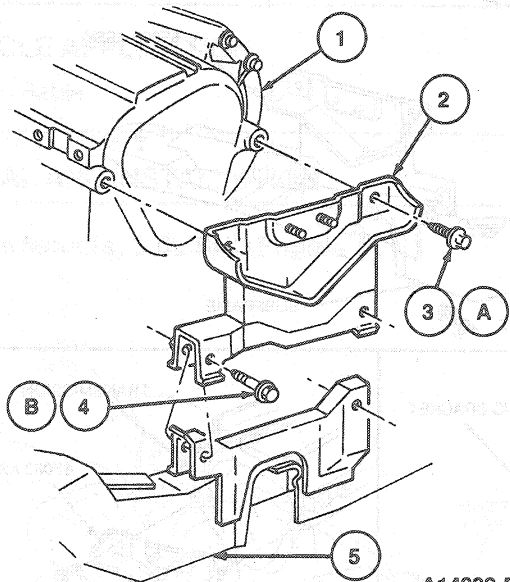


**REMOVAL AND INSTALLATION (Continued)**

7. Remove bolts retaining lower damper bracket to engine mount.
8. Remove bolts retaining insulator to transaxle and subframe.
9. Raise transaxle with jack (enough to unload insulator).
10. Remove insulator and lower damper bracket.

LH, No. 1A



Item	Part Number	Description
1	—	Transaxle Bracket Assy
2	6F063	

(Continued)

Item	Part Number	Description
3A	N605814-S101	Bolt (2 Req'd)
4B	N804749-S100	Bolt (2 Req'd)
5	—	Subframe
A		Tighten to 95-130 N·m (71-95 Lb-Ft)
B		Tighten to 81-116 N·m (60-85 Lb-Ft)

**Installation**

1. Loosely install insulator and damper bracket to transaxle and subframe.
2. Install damper bracket to insulator. Tighten bolts to 54-75 N·m (40-55 lb-ft).
3. Install insulator to transaxle. Tighten bolts to 95-130 N·m (71-95 lb-ft).
4. Install insulator to frame. Tighten bolts to 81-116 N·m (60-85 lb-ft).
5. Remove jack and jackstands.
6. Install LH tire and wheel. Tighten wheel lug nuts to 115-142 N·m (85-105 lb-ft).
7. Lower vehicle.
8. Install damper to damper bracket. Tighten bolt to 54-75 N·m (40-55 lb-ft).
9. Install backup lamp switch.
10. Install energy management bracket.