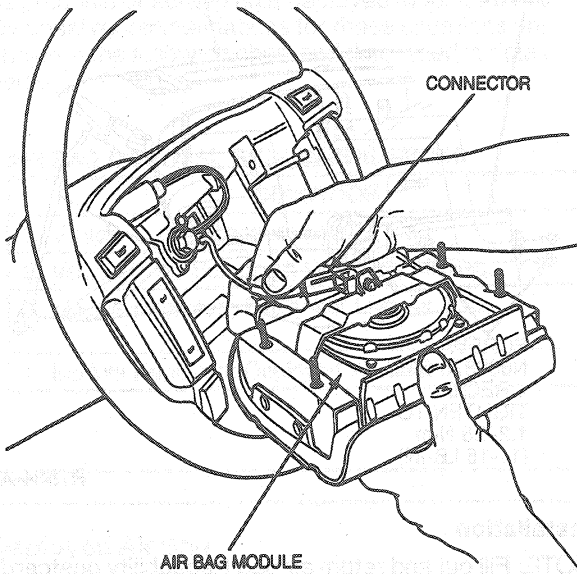


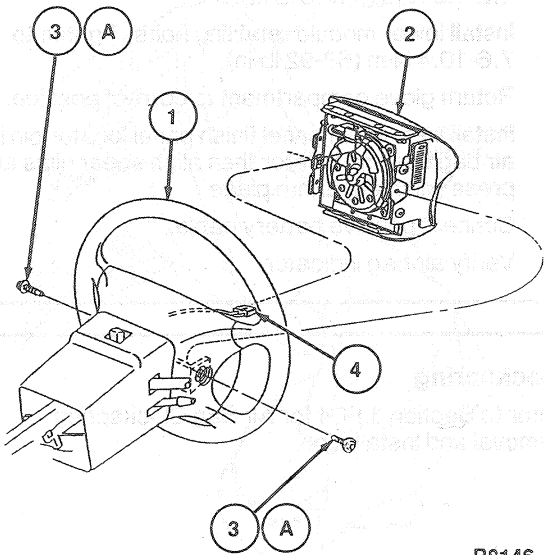
REMOVAL AND INSTALLATION (Continued)

3. Disconnect the air bag electrical connector from clockspring connectors. Remove air bag assembly.



G5783-A

SHO

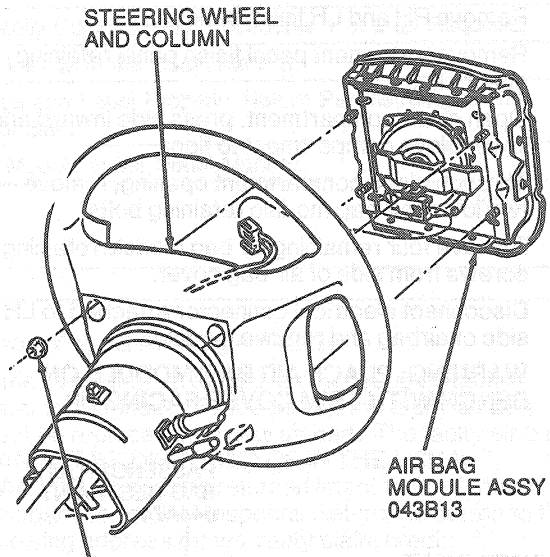


R8146-A

| Item | Part Number | Description |
|------|-------------|---------------------|
| 1 | 3600 | Steering Wheel |
| 2 | 014B13 | Air Bag Module Assy |

(Continued)

| Item | Part Number | Description |
|------|-------------|---|
| 3A | N807278-S36 | Screw and Washer Assy (2 Req'd) |
| 4 | — | Air Bag Module-to-Clockspring Connector |
| A | | Tighten to 10.2-13.8 N·m (8-10 Lb-Ft) |



NUT AND WASHER ASSY
N621903-S36
TIGHTEN TO
4-5.6 N·m
(35-50 LB-IN)

R7656-C

Installation

1. Connect the air bag module wiring connector to contact assembly connectors.
2. Position air bag module to steering wheel and secure with four nut and washer assemblies. Tighten to 4-5.6 N·m (36-49 lb-in). For SHO secure with two screw and washer assemblies. Tighten to 10.2-13.8 N·m (8-10 lb-ft).
3. Connect battery ground cable.
4. Verify air bag indicator.

Module, Passenger Air Bag

NOTE: If the air bag did not deploy in a collision, it may not have been needed. Complete all diagnosis before replacing the air bag module.