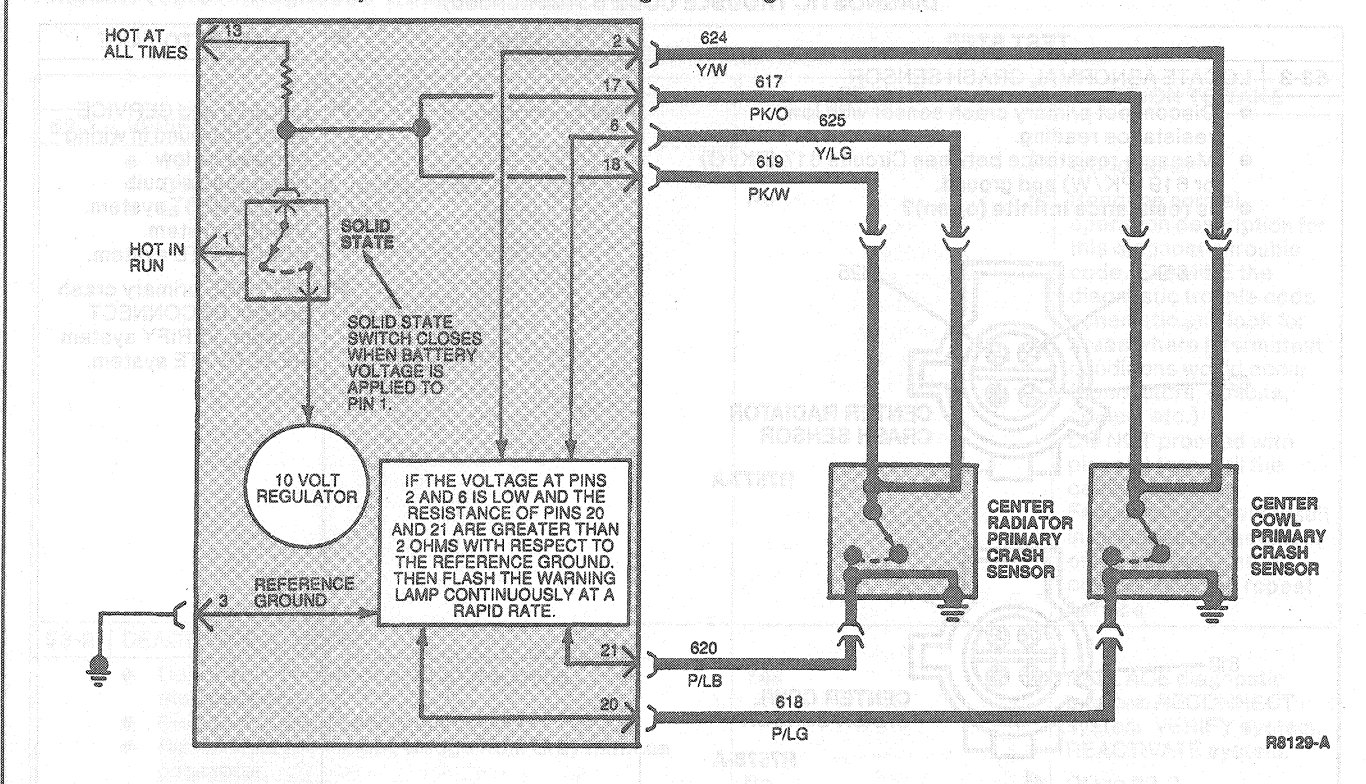


## DIAGNOSIS AND TESTING (Continued)

## Electrical Schematic—Rapid Continuous Flashing of Air Bag Indicator



## REMOVAL AND INSTALLATION

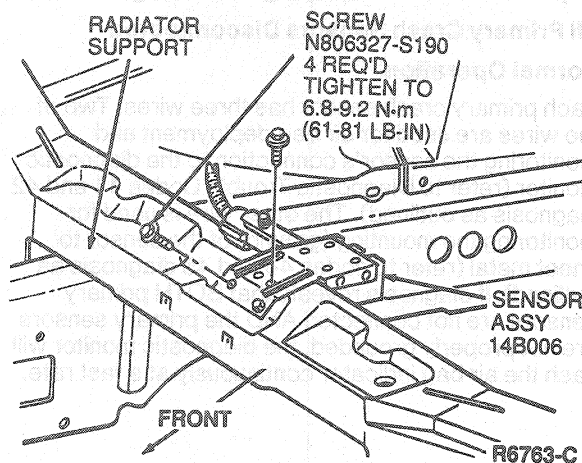
**WARNING: THE ELECTRICAL CIRCUIT NECESSARY FOR SYSTEM DEPLOYMENT IS POWERED DIRECTLY FROM THE BATTERY. TO AVOID ACCIDENTAL DEPLOYMENT AND POSSIBLE PERSONAL INJURY, THE POSITIVE BATTERY CABLE MUST BE DISCONNECTED PRIOR TO SERVICING OR REPLACING ANY SYSTEM COMPONENTS.**

## Sensor—Center Radiator

## Removal

**NOTE:** To service stripped sensor retaining screw at center mounted sensor, use screw (Part No. N802455-S190). Tighten to 13-17 N·m (10-12 lb-ft).

1. Disconnect battery positive cable.
2. Remove sight shield.
3. Disconnect center front sensor electrical connector.



4. Remove four screws retaining center front sensor to radiator support. Remove sensor from vehicle.

## Installation

1. Position front center sensor with arrow on top pointing toward front of vehicle and secure to radiator support with four screws. Tighten screws to 6.8-9.2 N·m (61-81 lb-in).
2. Connect front center sensor wire lead connector to wiring assembly connector.
3. Install sight shield.
4. Connect battery positive cable.