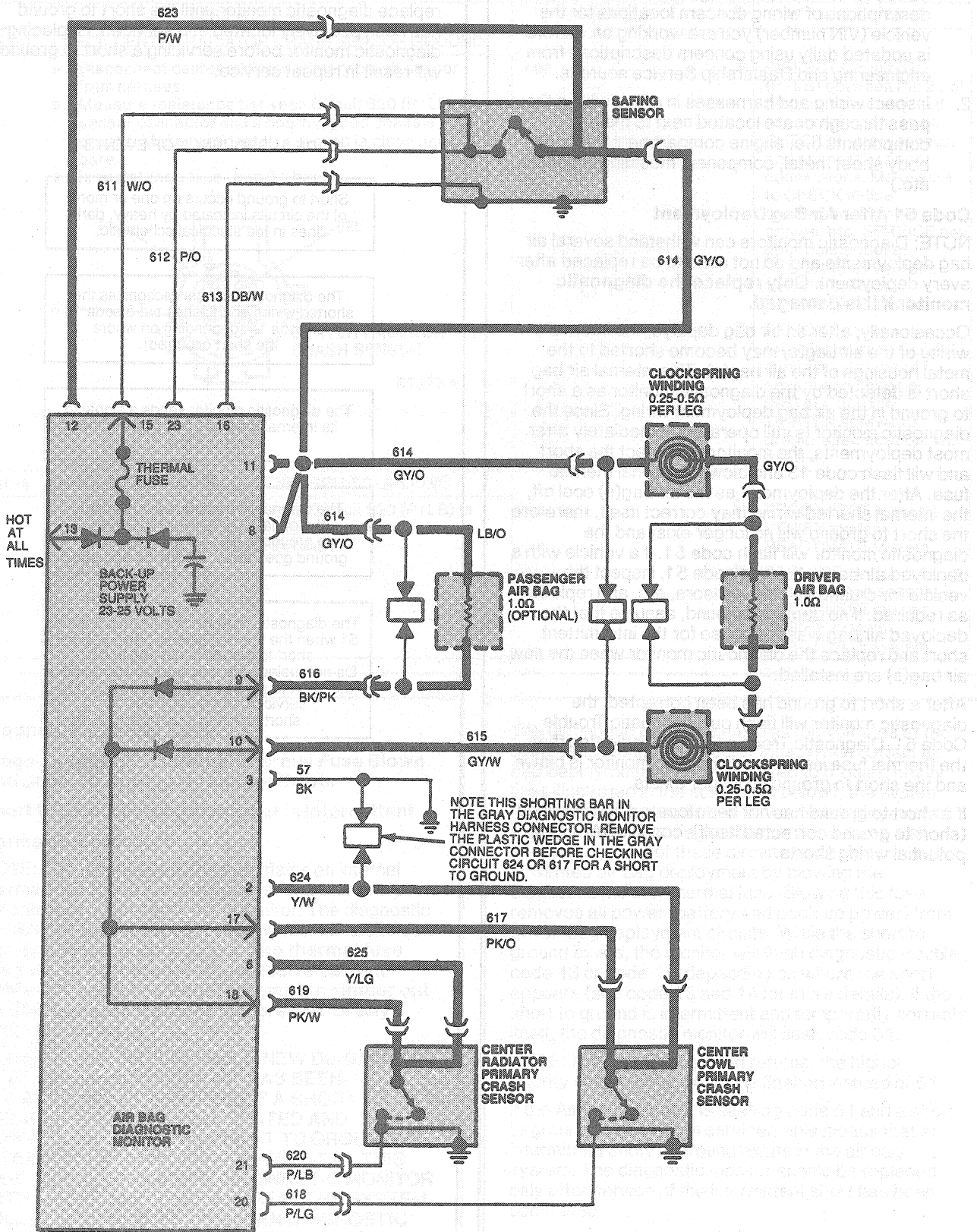


DIAGNOSIS AND TESTING (Continued)

DIAGNOSIS AND TESTING (Continued)

Electrical Schematic—Diagnostic Trouble Code 51



R9127-A