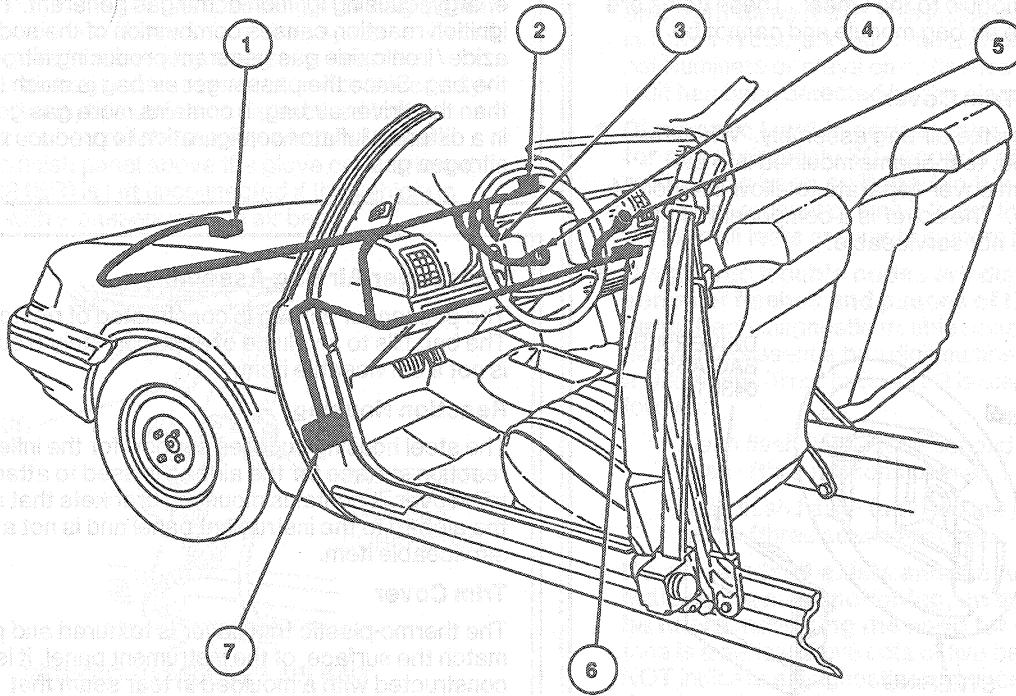


DESCRIPTION (Continued)

- Driver and optional passenger air bag
- Electrical system including impact sensors, backup power supply and electronic monitor assembly



R6761-D

Item	Part Number	Description	Location
1	14B005	Center Radiator Crash Sensor	Center Radiator
2	14B004	Center Cowl Crash Sensor	Center Cowl
3	—	Air Bag Readiness Indicator	Instrument Panel
4	043B13	Driver Side Air Bag Assy	Center of Steering Wheel
5	044A74	Passenger Side Air Bag Assy	Instrument Panel, Passenger Side
6	14B056	Diagnostic Monitor	Passenger Side Below Glove Compartment
7	14B007	LH Kick Panel Safing Sensor	Behind LH Kick Panel

Driver Air Bag

CAUTION: The driver air bag module is serviced as a complete assembly.

The driver air bag is mounted in the center of the steering wheel. The module consists of the following components:

- Inflator
- Mounting plate and retainer ring
- Bag assembly
- Steering wheel trim cover

Inflator

The inflator assembly is not a serviceable item. When the sensors close, signaling a crash, electrical energy flows to the air bag inflator. Inside the inflator, an igniter converts the electrical signal to thermal (heat) energy, causing the ignition of the inflator gas generant. This ignition reaction combusts the sodium azide / copper oxide gas generant in the inflator, producing nitrogen gas, which inflates the air bag.

Air Bag

The air bag is constructed of neoprene coated nylon, is 711 mm (28 inch) in diameter and fills to a volume of about 0.065 m³ (2.3 cubic ft) in approximately 40 milliseconds. It is not a serviceable item.