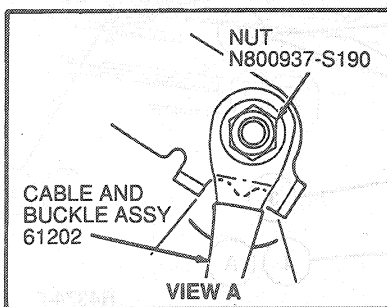
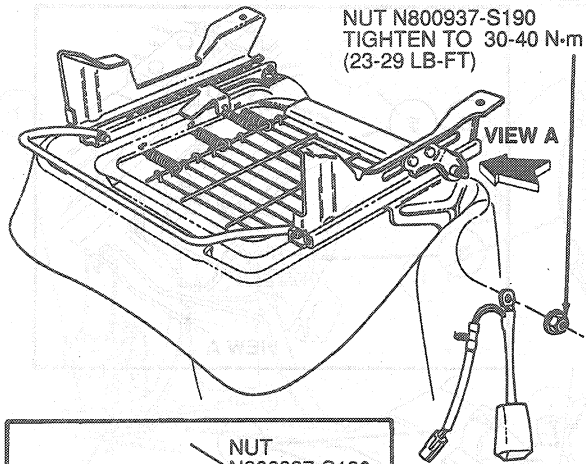


REMOVAL AND INSTALLATION (Continued)

Safety Belts, Inboard
Bucket

R4375-D

Safety Belts, Rear

Tools Required:

- Seat Belt Bolt Bit T77L-2100A

Seat Belt Bolt Bit T77L-2100-A should be used for safety belt removal and installation.

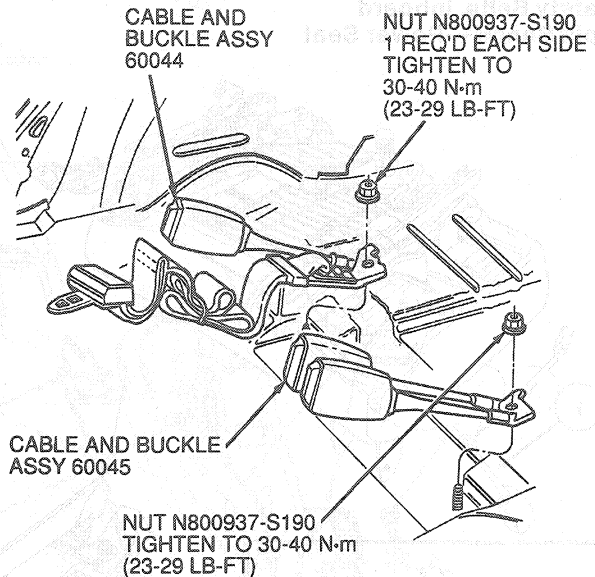
Removal

1. Remove rear seat back and cushion. Refer to Section 01-10A.
2. Remove the angel wing trim and package tray trim. Refer to Section 01-10A.
3. Remove buckle end anchor plate nuts and remove buckle end belts.
4. Remove retaining bolt to both rear seat retractors. Remove retractors.

NOTE: When only the outboard or center safety belt assembly is replaced, the brass ring holding one anchor plate of the center safety belt assembly and the buckle end anchor of the outboard safety belt must be pried open and discarded in order to slide belt anchor plate out of assembly.

Installation

1. Reverse Removal procedure, being sure to position belts and retractor as shown.
2. Tighten all retaining nuts to 30-40 N·m (23-29 lb-ft). Cycle system to ensure proper operation of retractor. Ensure safety belt is not twisted.



R4376-F

Lap/Shoulder Safety Belt, Rear

Sedan

Removal and Installation

1. Remove rear seat cushion. Refer to Section 01-10A.
2. Remove rear seat back. Ensure on vehicles equipped with head restraint, the web guide is opened. Refer to Section 01-10A.
3. Remove buckle end anchor plate nuts and remove buckle end belts.
4. Remove upper and lower quarter trim panels.
5. Remove safety belt anchor plate-to-sill bolt.
6. Snap out bezel in package tray trim panel.
7. Remove rear stoplamp assembly.
8. Remove package tray trim panel.
9. Remove retractor anchor bolt and retractor screw.
10. Remove anchor plate end of belt through the opening in the quarter trim panel and the package tray trim panel.
11. Remove outboard safety belt assembly from the vehicle.
12. Repeat procedure on opposite side.
13. To install, reverse Removal procedure. Cycle retractor to check for proper operation. Ensure safety belt is not twisted.

NOTE: Be sure to tighten all retaining bolts as outlined.