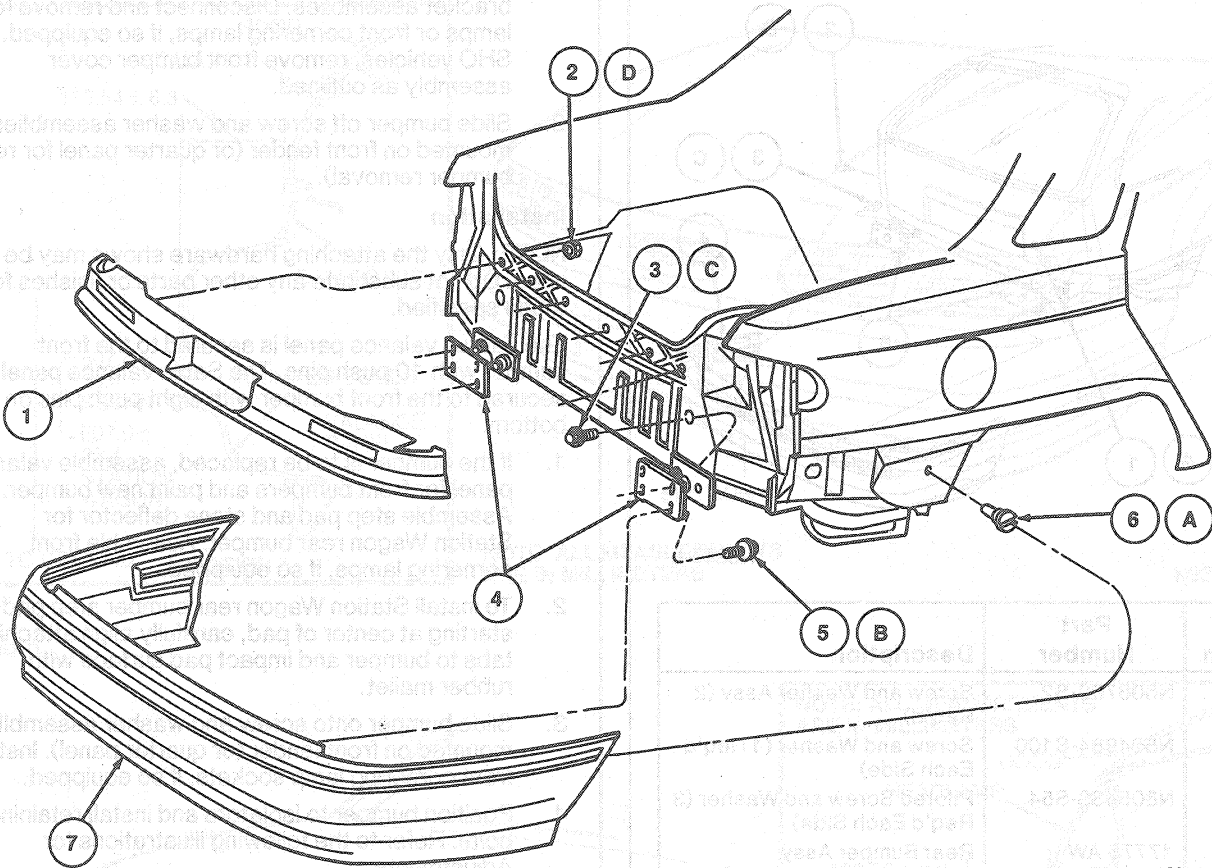


REMOVAL AND INSTALLATION (Continued)

REMOVAL AND INSTALLATION (Continued)

Sable



N9266-A

Item	Part Number	Description
1	17805	Deflector Assy
2D	N621926	Nut and Washer Assy (10 Req'd)
3C	N606702-S2	Screw and Washer Assy (2 Req'd)
4	17D788 (RH) 17D864 (LH)	Isolator and Bracket Assy
5B	N805433-S54	Screw and Washer (2 Req'd Each Side)

(Continued)

Item	Part Number	Description
6A	N804984-S100	Screw and Washer (1 Req'd Each Side)
7	17775	Rear Bumper Assy
A		Tighten to 9.5-15 N-m (8-11 Lb-Ft)
B		Tighten to 22-34 N-m (16-25 Lb-Ft)
C		Tighten to 35-55 N-m (26-40 Lb-Ft)
D		Tighten to 9-14 N-m (7-10 Lb-Ft)

Speaker heat could cause the metal mesh to expand and fall out of the speakers or crack the metal housing. Always remove the speakers before making body frame service near them.