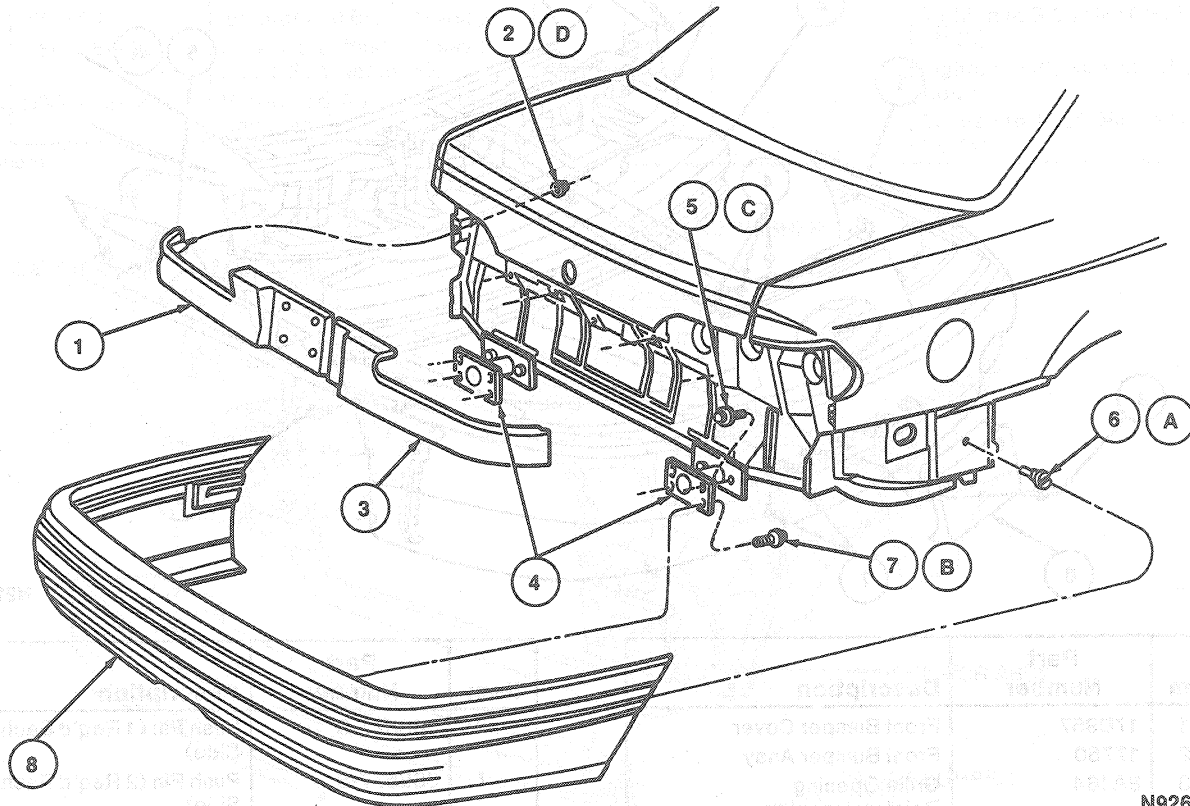


REMOVAL AND INSTALLATION (Continued)

Bumper, Rear — Sedan
Taurus

N9267-A

Item	Part Number	Description
1	42A341	LH Lower Back Finish Panel Assy
2D	N621926-S36	Nut and Washer (10 Req'd)
3	42A340	RH Lower Back Finish Panel Assy
4	17D788 (RH) 17D864 (LH)	Isolator and Bracket Assy
5C	N606702-S2	Screw and Washer (2 Req'd Each Side)
6A	N804984-S100	Screw and Washer (1 Req'd Each Side)

(Continued)

Item	Part Number	Description
7B	N805433-S54	Screw and Washer (3 Req'd Each Side)
8	17775 17D780	Rear Bumper Assy Bumper and Cover Assy (Taurus SHO)
A		Tighten to 9.5-15 N·m (8-11 Lb·Ft)
B		Tighten to 22-34 N·m (16-25 Lb·Ft)
C		Tighten to 35-55 N·m (26-40 Lb·Ft)
D		Tighten to 9-14 N·m (7-10 Lb·Ft)