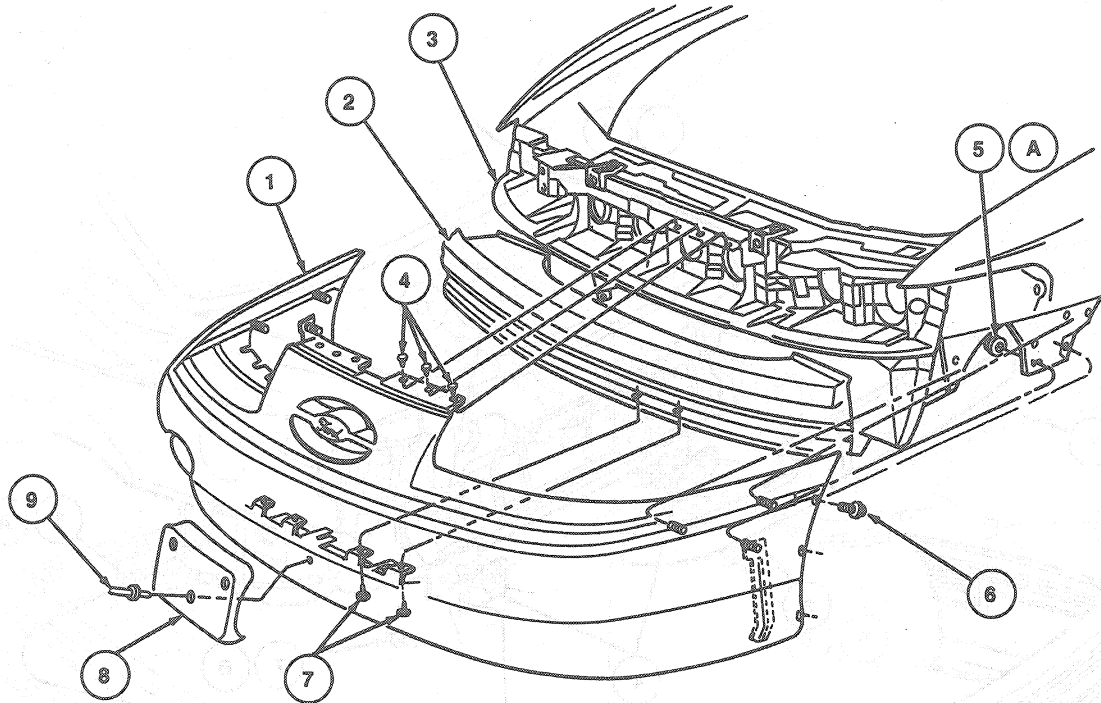


REMOVAL AND INSTALLATION (Continued)

Taurus SHO



N9265-A

Item	Part Number	Description
1	17D957	Front Bumper Cover
2	17750	Front Bumper Assy
3	8A164	Grille Opening Reinforcement
4	388577-S	Push Pin (3 Req'd Each Side)
5A	N621906-S36	Nut and Washer (2 Req'd Each Side)

(Continued)

Item	Part Number	Description
6	388577-S	Push Pin (1 Req'd Each Side)
7	388577-S	Push Pin (2 Req'd Each Side)
8	17A385	Front License Plate Bracket
9	N803043-S	Rivet (3 Req'd)
A		Tighten to 4.5-6.9 N-m (40-61 Lb-In)