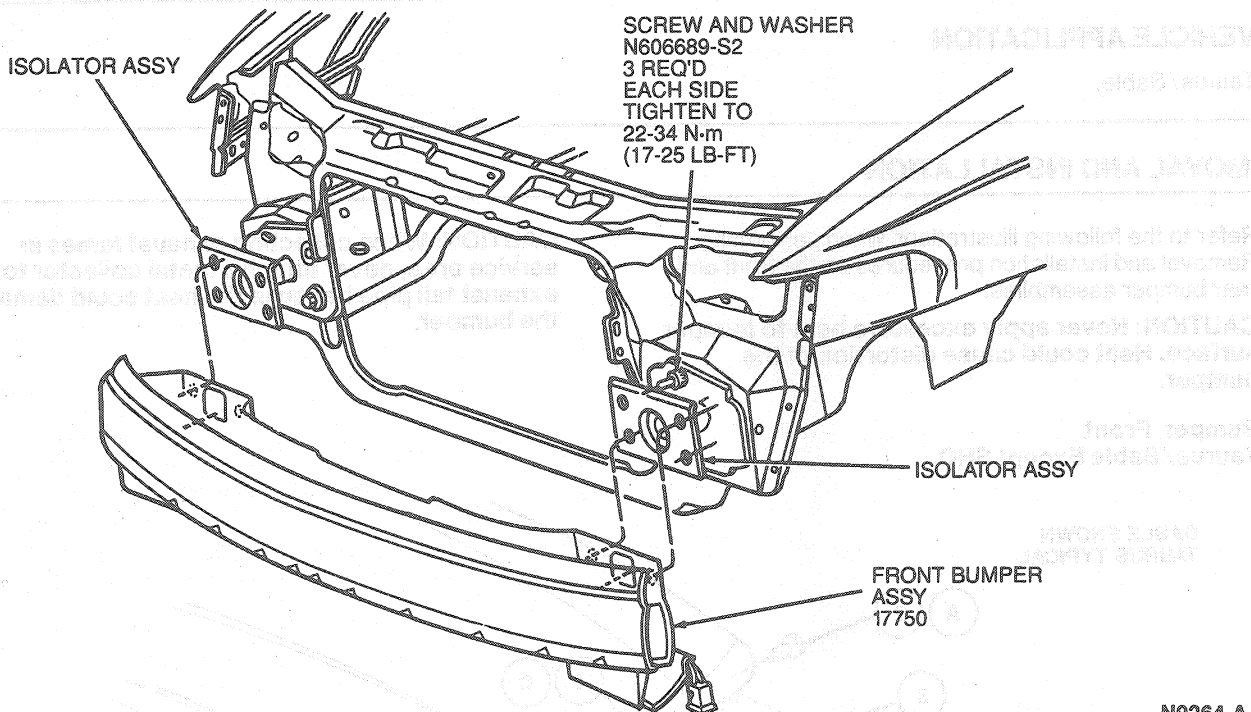


REMOVAL AND INSTALLATION (Continued)

Item	Part Number	Description
1	17750	Front Bumper Assy
2A	N804984-S100	Screw and Washer (1 Req'd Each Side)
3	17D809	Isolator and Bracket Assy
4C	N606689-S2	Screw and Washer Assy (3 Req'd Each Isolator)
5B	N805433-S54	Screw and Washer (3 Req'd Each Side)

(Continued)

Item	Part Number	Description
6	N800538-S101	U-Nut (1 Req'd Each Side)
7	N805150-S	Rivet (3 Req'd) (Sable)
8	17N397	Bracket Assy (Sable)
A		Tighten to 9-21 N·m (7-15 Lb-Ft)
B		Tighten to 22-34 N·m (17-25 Lb-Ft)
C		Tighten to 17-27 N·m (13-19 Lb-Ft)



N9264-A