

SECTION 01-19 Bumpers

SUBJECT	PAGE	SUBJECT	PAGE
REMOVAL AND INSTALLATION		REPAIR (Cont'd.)	
Bumper Cover.....	01-19-10	Plastic Bumpers.....	01-19-13
Bumper Isolator and Bracket.....	01-19-10	Repair Procedures For Non-Structural Areas	01-19-13
Bumper Stone Deflector	01-19-10	SPECIFICATIONS	01-19-13
Bumper, Front and Rear	01-19-6	VEHICLE APPLICATION	01-19-1
REPAIR			
Plastic Bumper Cover	01-19-11		

VEHICLE APPLICATION

Taurus / Sable.

REMOVAL AND INSTALLATION

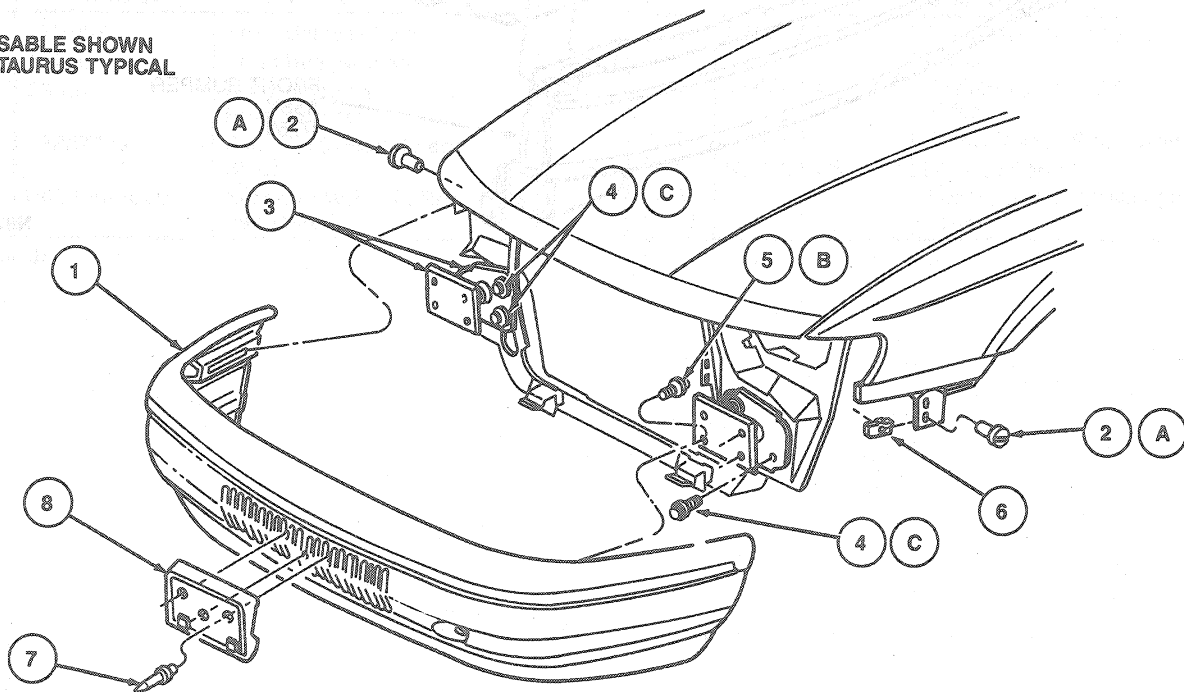
Refer to the following illustrations when performing Removal and Installation procedures on the front and rear bumper assemblies.

CAUTION: Never apply excessive heat to bumper surface. Heat could cause distortion of the bumper.

CAUTION: When collecting exhaust fumes in service area, never attach a metal collector to the exhaust tail pipe because the heat could damage the bumper.

Bumper, Front
Taurus/Sable Except SHO

SABLE SHOWN
TAURUS TYPICAL



N9263-B