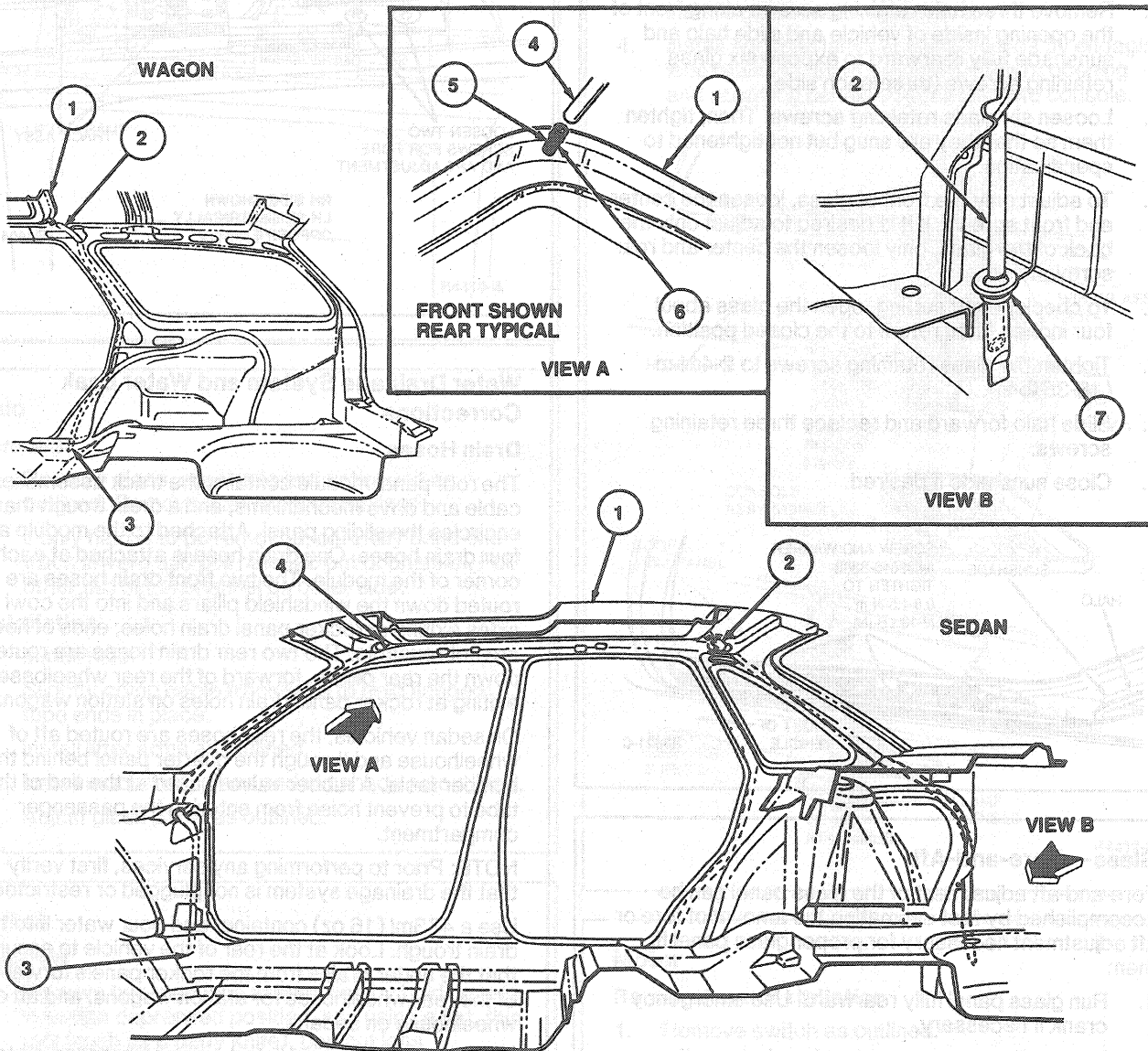


ADJUSTMENTS (Continued)

With clearances within specification and panel closed, have an assistant spray water on the sliding panel while you are on the inside, visually inspecting the area to see if an excessive amount of water is entering the drain trough. A large volume of water indicates that an excessive clearance exists between the sliding panel seal and the roof.



R4406-C

Item	Part Number	Description
1	—	Roof Body Panel
2	502C53	Rear Roof Drain Hose
3	—	Drain Hose Inserted into Hole in Rocker Panel

(Continued)

Item	Part Number	Description
4	502C52	Front Roof Drain Hose
5	—	Nipple, Part of 502A82 Moon Roof Assy
6	ESA-M2G161-A	Adhesive, Apply to Nipple Prior to Hose Installation
7	03A20	Moon Roof Drain Valve