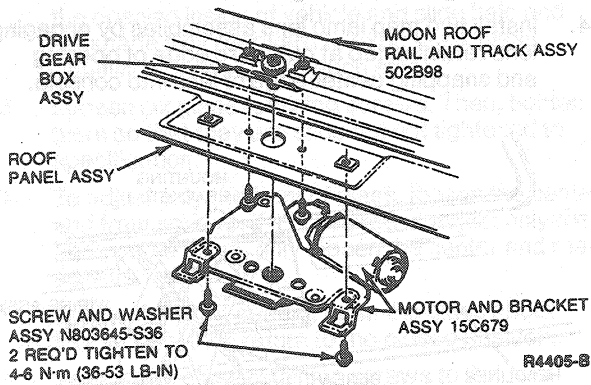
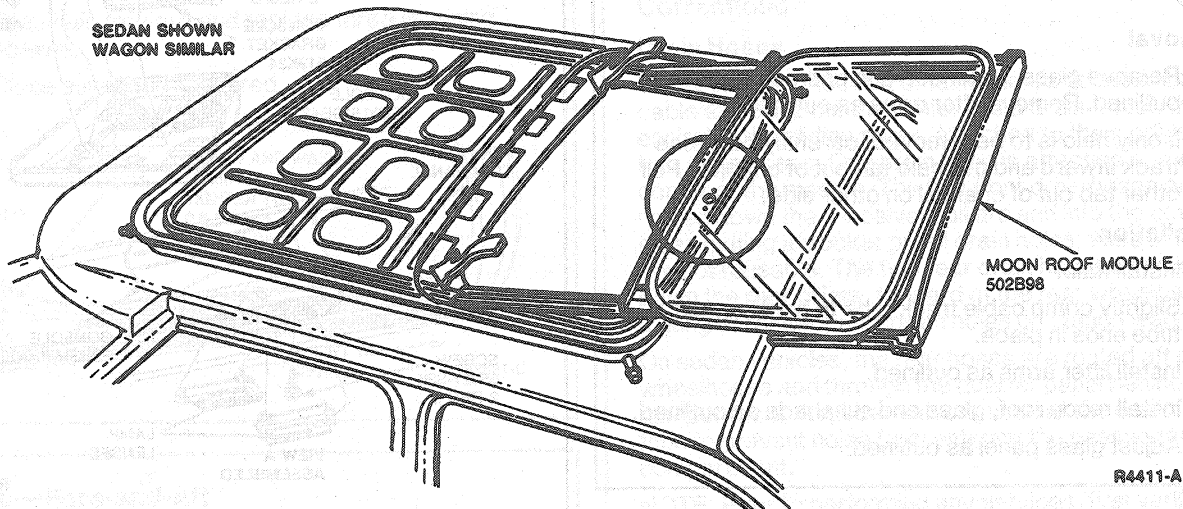


REMOVAL AND INSTALLATION (Continued)

5. Remove four pivot screws (two forward, two rearward). Do not remove center bolt.
6. Close glass panel.
7. Remove roof console. Refer to Section 01-12. Disconnect motor electrical connections.
8. Remove two retaining screws while holding motor in place. Remove motor.



SEDAN SHOWN
WAGON SIMILAR



9. Remove two screws retaining moon roof front rail to roof panel.
10. Lift and slide entire moon roof module out of vehicle. Protect roof's painted surface. Make certain halo trough clears roof edge.

Installation

1. Slide moon roof into vehicle, taking care not to damage roof finish.

2. Install two screws retaining moon roof front rail to roof panel.
3. Check motor for synchronization. If not synchronized, adjust as outlined.
4. Install motor and retaining screws. Connect electrical connectors.
5. Ensure lifter arm and guidance ramp are aligned as shown.

6. Open glass and sunshade fully.
7. Install 10 pop rivets.
8. Adjust glass as outlined.
9. Install four pivot bracket retaining screws after glass is adjusted.