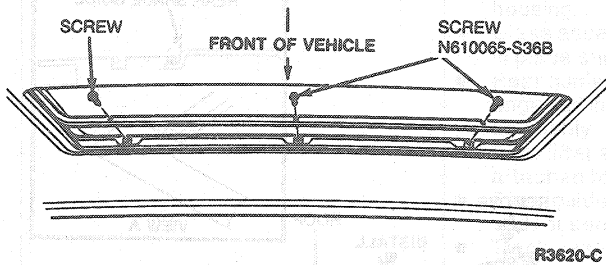


## REMOVAL AND INSTALLATION (Continued)

10. Close sunshade if desired.

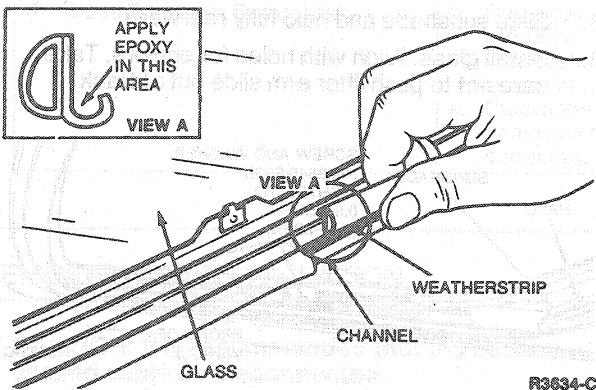


R3620-C

## Glass Weatherstrip

## Removal and Installation

1. Remove glass as outlined.
2. Peel off weatherstrip.
3. Clean off excess epoxy from bright glass moulding.
4. Apply epoxy to new seal before installing.  
NOTE: Seal has an internal bumper which must be centered on front of glass panel. The bumper may be located by pressing on the seal with a finger.
5. Snap new seal onto bright moulding as shown.  
NOTE: Apply Super Weatherstrip Adhesive 3M® 08008 or equivalent to new weatherstrip before pressing weatherstrip onto glass channel.
6. To install, reverse Removal procedure.
7. Adjust glass after installation as outlined.



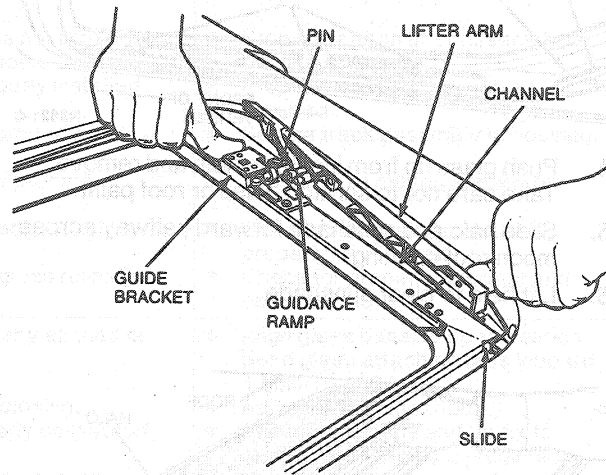
R3634-C

## Lifter Arm

## Removal and Installation

1. Remove glass as outlined.
2. Using the motor switch, move guide bracket rearward until lifter pin is at the top of curved slot in lifter arm.

3. Pull lifter arm off guidance ramp retaining pin. Slide out of track.
4. To install, reverse Removal procedure.
5. Check motor for synchronization and adjust as outlined. Install motor and glass as outlined.

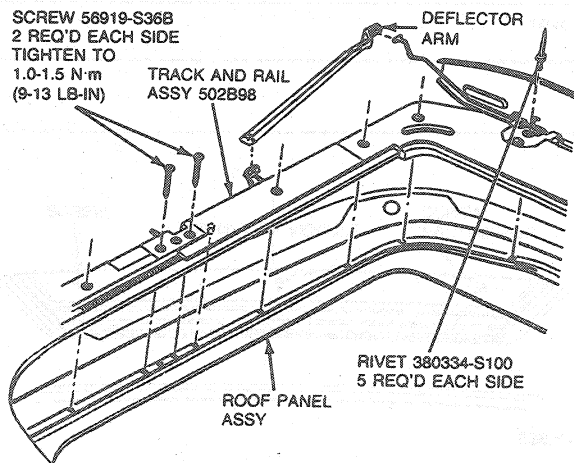


R3625-B

## Moon Roof Assembly

## Removal

1. Open glass panel and sunshade fully.
2. Disconnect air deflector arms by pulling up on rear of arm to disengage from track retainer and rotating arm to remove from air deflector.  
**CAUTION: Use an appropriate shield so that the headlining is not damaged while the rivets are drilled out.**
3. Drill out 10 rivets using 3/8-inch drill stop.
4. Connect air deflector arms by engaging rear of arm to track retainer.



R4334-B