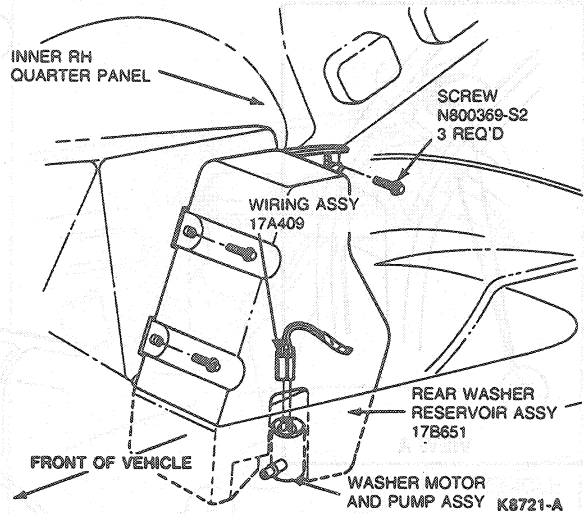


REMOVAL AND INSTALLATION (Continued)

6. Replace quarter trim panel.

CAUTION: Do not operate pump until reservoir is filled.



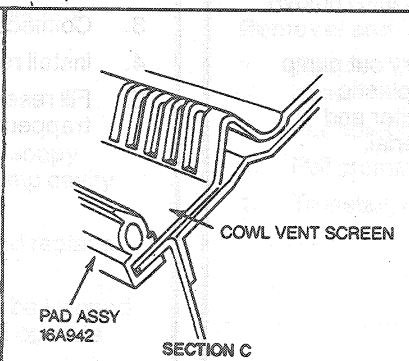
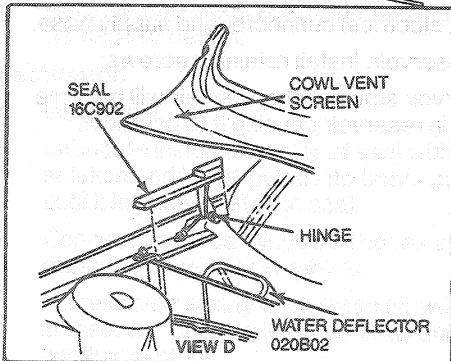
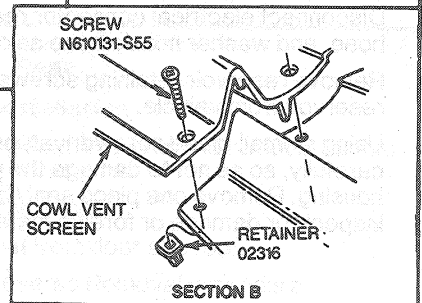
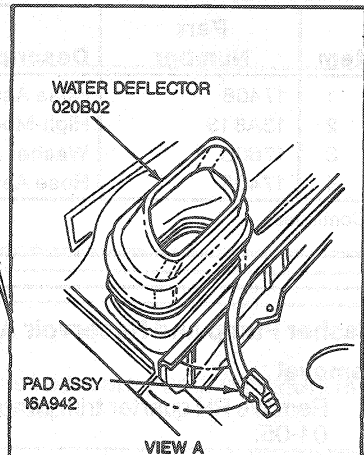
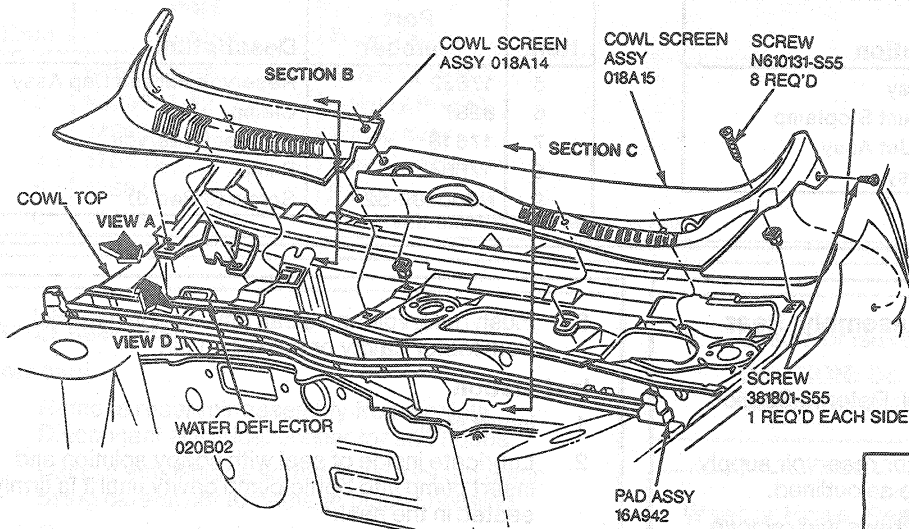
Fluidic Washer Nozzle, Front

Removal

1. Raise hood.

2. Remove wiper arms.

3. Remove cowl top screen.



K8722-B