

**REMOVAL AND INSTALLATION (Continued)**

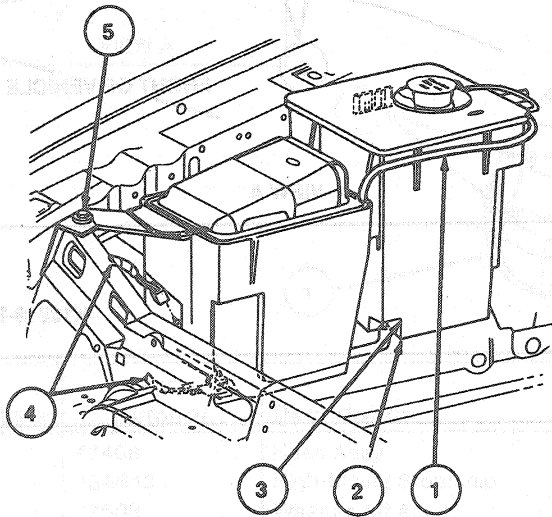
**Washer Pump and Reservoir Assembly, Front  
Taurus/Sable**

**Removal and Installation**

1. Remove retaining screw.
2. Disconnect electrical connectors.
3. Disconnect hoses and remove reservoir from vehicle.

**NOTE:** Reservoir will drain with hose disconnected.

4. To install, reverse Removal procedure. Fill reservoir with fluid.



K14987-C

Item	Part Number	Description
1	17A605	Windshield Washer Hose
2	17618	Washer Reservoir and Motor
3	—	To Pump
4	14290	Wiring Assy
5	N800369-S2	Screw

**Taurus SHO**

**Removal and Installation**

1. Remove two retaining screws.
2. Remove RH inner splash shield.
3. Disconnect electrical connectors.
4. Disconnect hose and remove reservoir from vehicle.

**NOTE:** Reservoir will drain with hose disconnected.

5. To install, reverse Removal procedure. Fill reservoir with fluid.