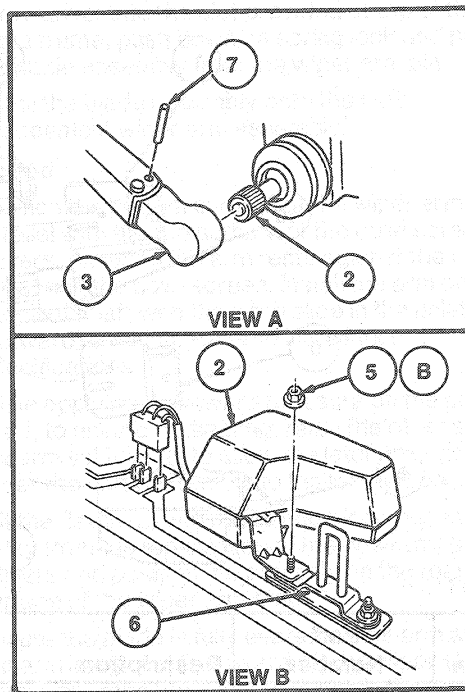
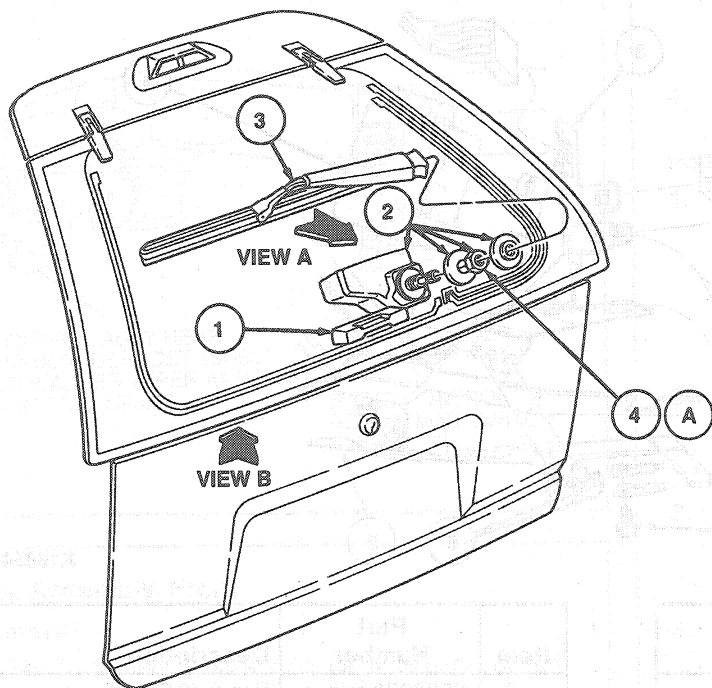


REMOVAL AND INSTALLATION (Continued)



K8520-E

Item	Part Number	Description
1	44409	Back Window Handle
2	17C541	Rear Window Wiper Motor Assy
3	17C403	Rear Arm and Blade Assy
4A	17A475	Nut

(Continued)

Item	Part Number	Description
5B	—	Nut and Washer Assy
6	42148	Back Window Latch Striker Assy
7	—	1 / 16 Inch Diameter Roll Pin
A		Tighten to 15-20 N·m (11-14 lb-ft)
B		Tighten to 5-8 N·m (4-6 lb-ft)

**Wiper Control Module (WCM)**

The WCM is mounted on a bracket to the right of the steering column support bracket.

**Removal and Installation**

1. Disconnect battery ground cable.

2. Disconnect harness connector.
3. Remove two retaining screws.
4. To install, reverse Removal procedure. Check wiper system operation.