

DIAGNOSIS AND TESTING (Continued)

PINPOINT TEST F: WIPERS WILL NOT TURN OFF (Continued)

TEST STEP		RESULT	ACTION TO TAKE
F3	CHECK WIPER SWITCH		
	<ul style="list-style-type: none"> Measure resistance between circuits 589 (O) and 993 (BR/W). Is resistance approximately 47.6k ohms? 	Yes	REPLACE WCM.
		No	CHECK for: <ul style="list-style-type: none"> Open circuit (993 (BR/W) or 589 (O)) between wiper switch and WCM. Damaged wiper switch. SERVICE as required.

TK18612A

REMOVAL AND INSTALLATION

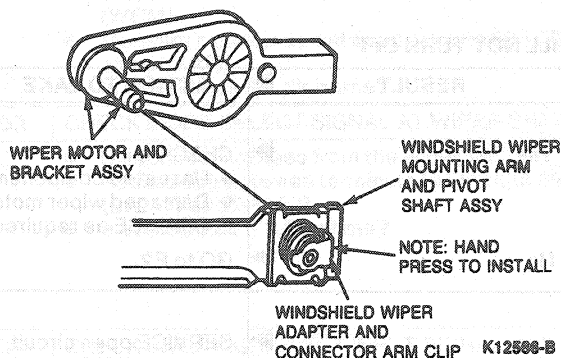
Wiper Motor, Front

When installing the drive arm to a new motor, follow the instructions included in the new motor kit.

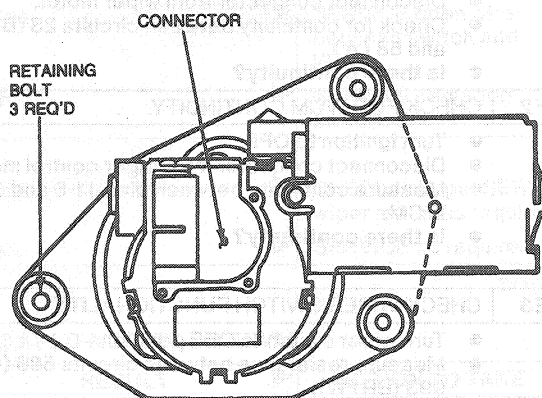
CAUTION: The internal permanent magnets used in the wiper motor are a ceramic (glass-like) material. Care must be exercised in handling the motor to avoid damaging the magnets. The motor must not be struck or tapped with a hammer or other object.

Removal

- Open hood and disconnect battery cables.
- Disconnect power lead from motor.
- Remove LH wiper arm.
- Lift watershield cover from cowl on passenger side.
- Remove linkage retaining clip from operating arm on motor by lifting locking tab up and pulling clip away from pin.



- Remove three retaining bolts from motor and bracket assembly and remove.



K12567-A

Installation

- Position wiper motor assembly and install retaining bolts. Tighten to 7-9.6 N-m (60-85 lb-in).
- Install retaining clip on linkage arm.
- Install linkage on motor output arm. Ensure arm is securely attached to motor. Install linkage by pulling until clip snaps in place.
- Install LH watershield.
- Connect battery ground cable. Check wiper motor operation through all modes.
- Install LH wiper blade to Dimension X shown in illustration under Adjustments.

Station Wagon — Rear

Removal and Installation

- Remove wiper arm and blade.
- Remove pivot shaft retaining nut and spacers.
- Disconnect electrical connector to wiper motor. Pull on connector only, not wires.
- Remove nut retaining motor to handle and remove motor.
- To install, reverse Steps 1 through 4.