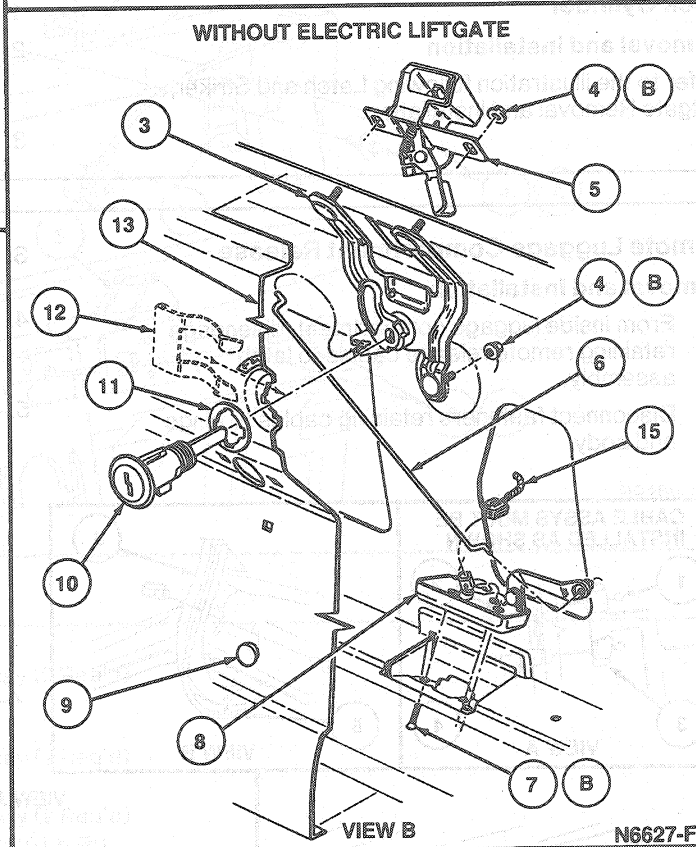
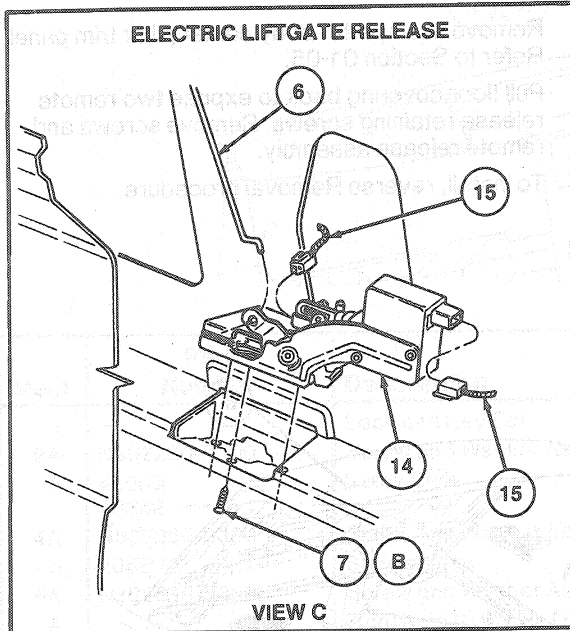
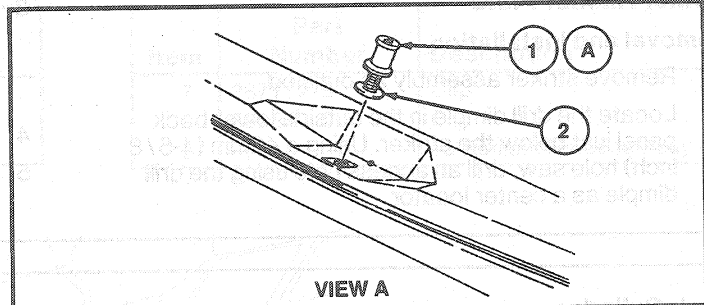
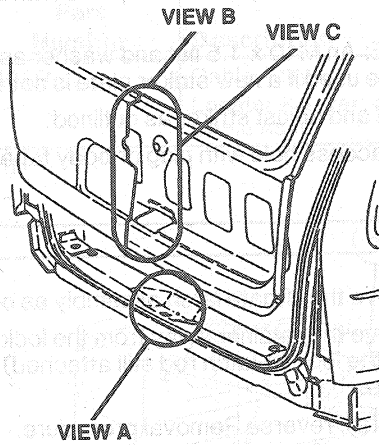


REMOVAL AND INSTALLATION (Continued)



N6627-F

Item	Part Number	Description
1A	404B12	Striker Assy
2	351405-S2	Washer(s) (Maximum 2)
3	433A60	Latch Release Control Assy
4B	N621907-S36	Nut and Washer
5	40860	Window Latch Assy
6	43329	Latch Release Rod
7B	N804230-S100	Screw (3 Req'd)
8	43102-A	Liftgate Latch Assy
9	N804979-S	Adhesive Pad (1 Req'd Each Side)

Item	Part Number	Description
10	—	Lock Cylinder and Case Assy
11	43625	Pad
12	22023	Lock Cylinder Retainer
13	40245	Decal Instructions
14	43102-B	Electric Lift Gate Latch Assy
15	13412	To Lift Gate Wiring Harness
A		Tighten to 27-38 N·m (20-28 Lb·Ft)
B		Tighten to 7-11 N·m (5-8 Lb·Ft)

(Continued)