

REMOVAL AND INSTALLATION (Continued)

5. To install, reverse Removal procedure. Adjust latch assembly. Tighten bolts to 9-14 N·m (7-10 lb-ft).

NOTE: Due to the conversion from single 90 degree rod to double 90 degree rod, it may be necessary to remove more parts than the instructions indicate. This action will allow more maneuverability of the rod and ease the removal process.

Latch and Lock, Luggage Compartment Deck Lid

Sedan

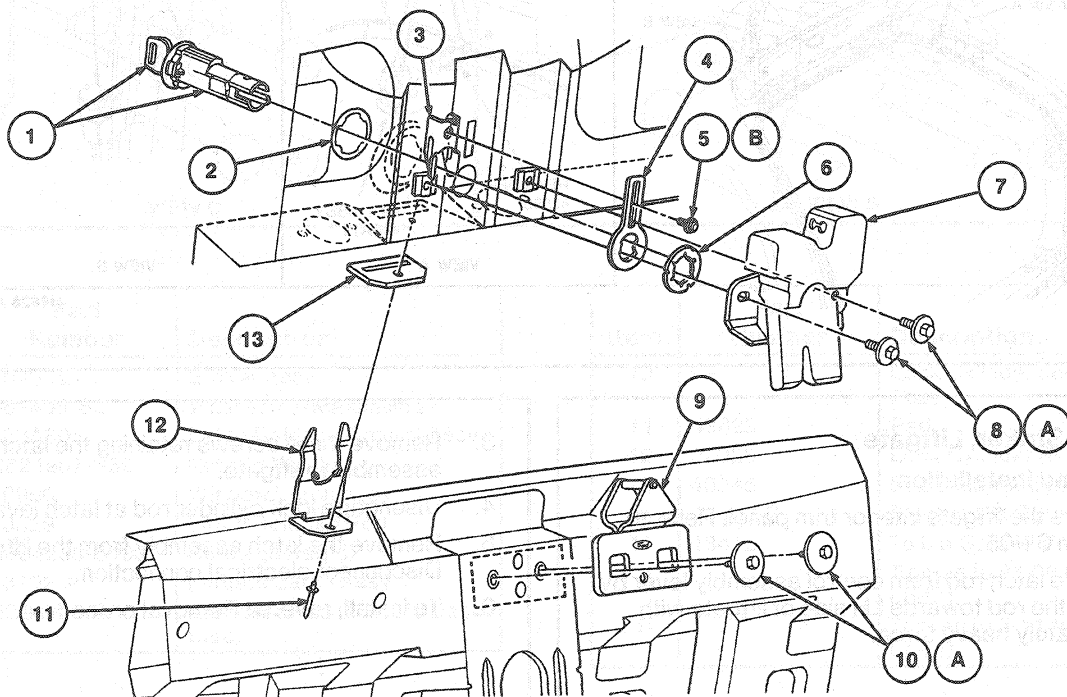
Removal and Installation

1. Open the luggage compartment deck lid.
2. Remove the latch retaining screws. Remove the latch.
3. Remove the retainer clip and lock support.
4. Remove the pop-rivet retaining the lock cylinder retainer.
5. Remove the lock cylinder retainer as the lock cylinder is removed.
6. To install, reverse Removal procedure.
7. Position the latch to the luggage compartment deck lid. Install the retaining screws and tighten to 9-14 N·m (7-10 lb-ft).
8. Adjust the striker as outlined.

Latch Striker Assembly, Luggage Compartment Deck Lid

Removal and Installation

1. Open luggage compartment deck lid.
2. Remove two screw and washer assemblies retaining striker assembly and striker plate to lower back panel.
3. Remove striker and plate.
4. To install, reverse Removal procedure. Striker assembly may need to be adjusted by moving striker fore-or-aft or from side-to-side as necessary. Tighten two screw and washer assemblies to 9-14 N·m (7-10 lb-ft).



N9259-A