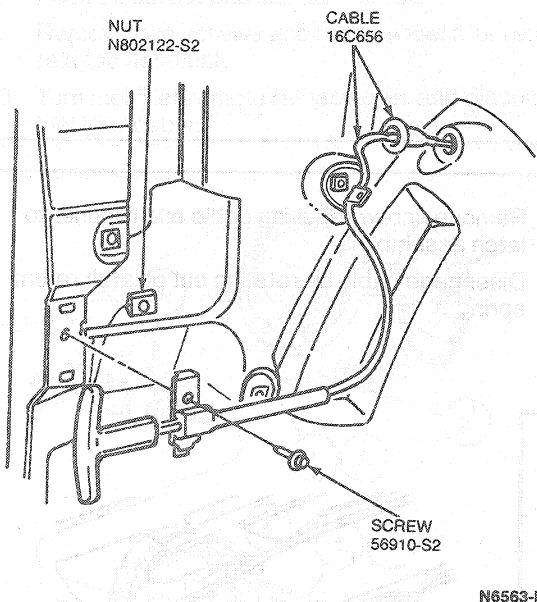


REMOVAL AND INSTALLATION (Continued)

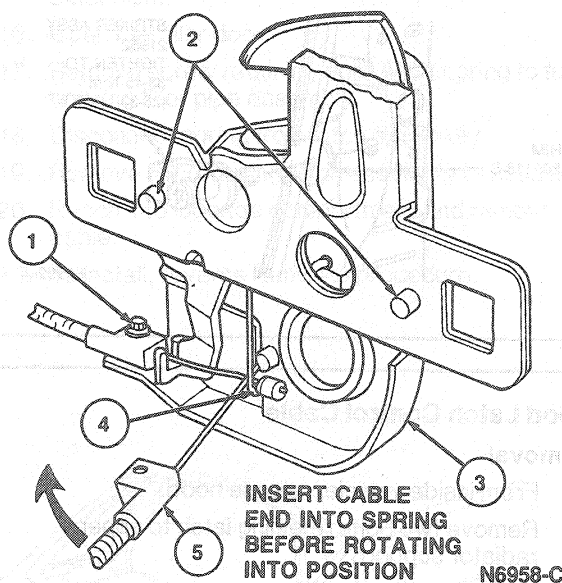
Item	Part Number	Description
6A	N802850-S55M	Screw and Washer Assy (2 Req'd)
7	—	Existing Locator Pins
A		Tighten to 9-14 N-m (7-10 Lb-Ft)

- To facilitate installing cable, fasten a "fish line" about 2.5m (8 feet) long to latch end of cable.
- From inside vehicle, unseat sealing grommet from cowl side, remove cable mounting bracket retaining screws and carefully pull cable assembly out. Do not pull fish line out.



Installation

- Using previously installed fish line, pull new cable assembly through retaining wall, seat grommet securely and install cable mounting bracket retaining screws.
- Thread terminal end of cable into hood latch return spring.
- Route cable through V-slot on latch and install cable end retaining screw.



INSERT CABLE END INTO SPRING BEFORE ROTATING INTO POSITION

Item	Part Number	Description
1	387514-S2	Screw and Washer Assy
2	—	Existing Locator Pins
3	16700	Hood Latch Assy
4	—	Hood Latch Return Spring, Part of 16700 Hood Latch
5	—	Plastic End, Part of 16C656 Hood Release Cable

- Install two bolts retaining latch to upper radiator support. Tighten to 9-14 N-m (7-10 lb-ft).
- Check hood latch cable release operation before closing hood. Adjust if necessary.

Hood Latch

Removal and Installation

Refer to the illustration under Hood Latch Control Cable Removal.

- From inside vehicle, release hood.
- Remove two bolts retaining latch assembly to upper radiator support.
- Remove screw retaining cable end retainer to latch assembly.
- Disengage cable by rotating out of latch return spring.