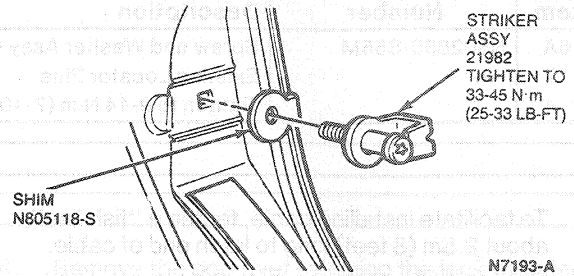


**REMOVAL AND INSTALLATION (Continued)**

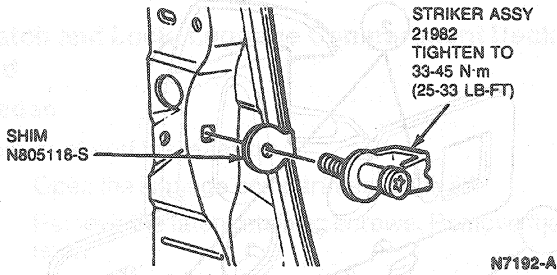
**Removal and Installation**

1. Remove striker and washer using correct size bit from Torx® Drive Bit Set D79P-2100-T or equivalent.
2. Install striker and washer.
3. Adjust striker as outlined.

**Striker, Rear Door**



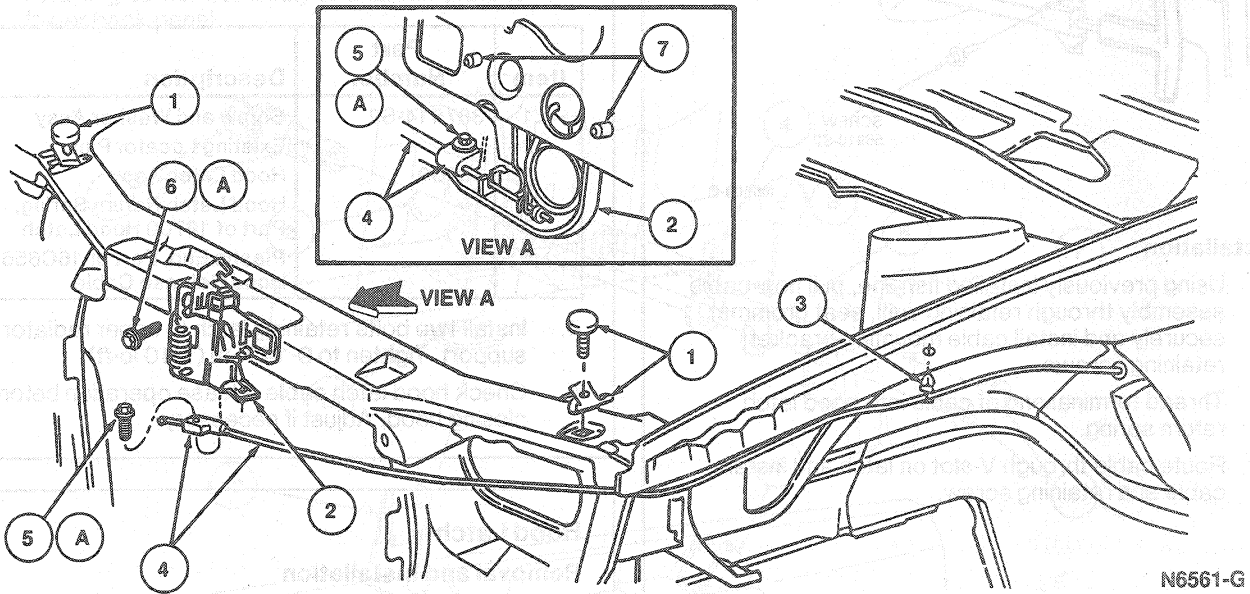
**Striker, Front Door**



**Hood Latch Control Cable**

**Removal**

1. From inside vehicle, release hood.
2. Remove two bolts retaining latch to upper radiator support.
3. Remove screw retaining cable end retainer to latch assembly.
4. Disengage cable by rotating out of latch return spring.



Item	Part Number	Description
1	N806044-S	Hood Bumper Assy
2	16700	Hood Latch Assy
3	382931-S	Clip
4	16C656	Hood Latch Cable Assy
5A	387514-S2	Screw and Washer Assy (1 Req'd)

(Continued)