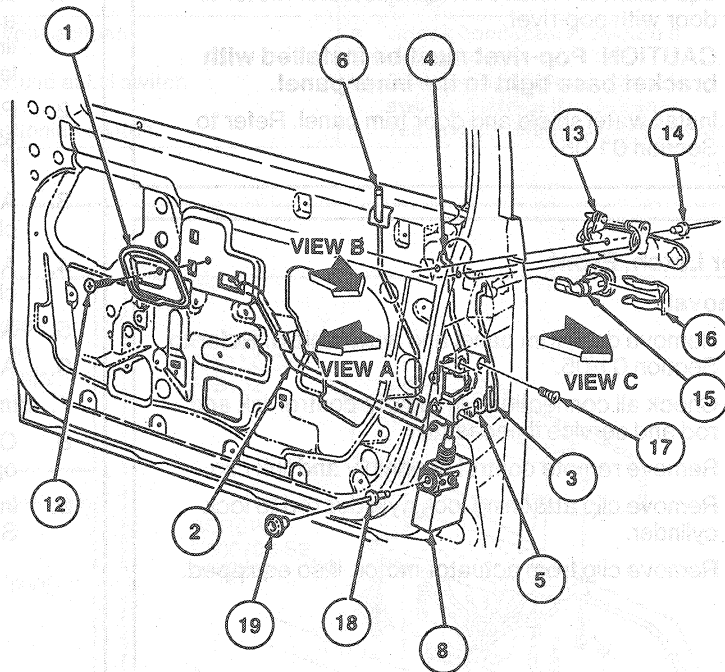
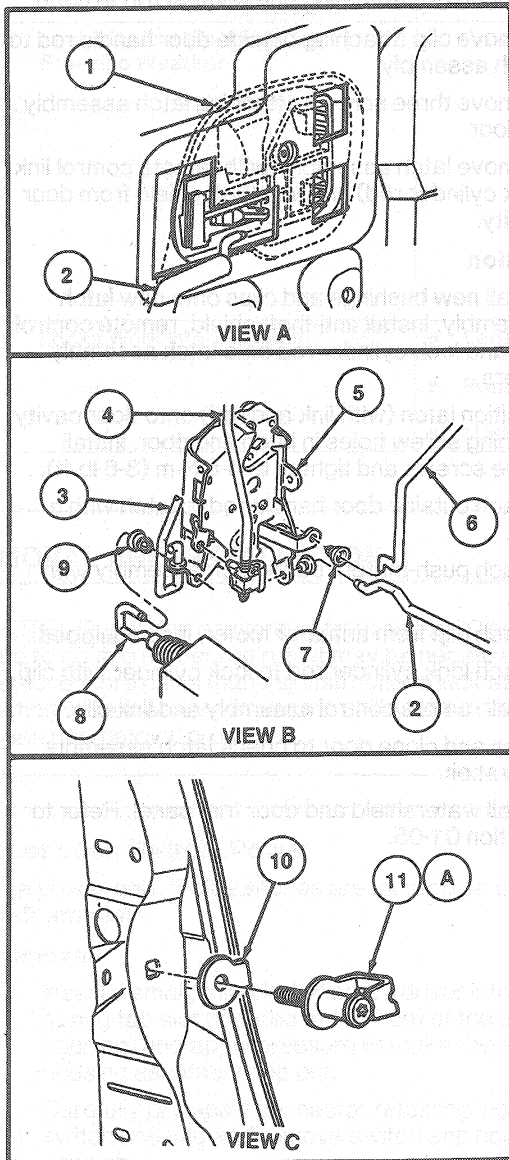


## REMOVAL AND INSTALLATION (Continued)

REMOVAL AND INSTALLATION (Continued)



N6635-H

Item	Part Number	Description
1	21818	Latch Remote Control Assy
2	21914	Link Assy
3	22134	Lock Cylinder-to-Latch Actuator Rod
4	22152	Handle-to-Latch Actuator Rod
5	21812	Latch Assy
6	218A00	Rod Assy
7	386656-S	Bushing
8	218A42	Power latch Actuator
9	386656-S	Bushing

(Continued)

Item	Part Number	Description
10	N805583-S	Shim (1 Req'd Each Side)
11A	21982	Door Latch Striker Assy
12	N610128-S2	Screw (1 Req'd Each Side)
13	22400	Handle Assy
14	391255-S102	Rivet (2 Req'd Each Door)
15	—	Lock Assy
16	22023	Lock Cylinder Retainer
17	N805653-S100	Screw (3 Req'd Each Side)
18	N805995-S100	Rivet
19	377934-S	Grommet
A		Tighten to 33-45 N·m (25-33 Lb·Ft)