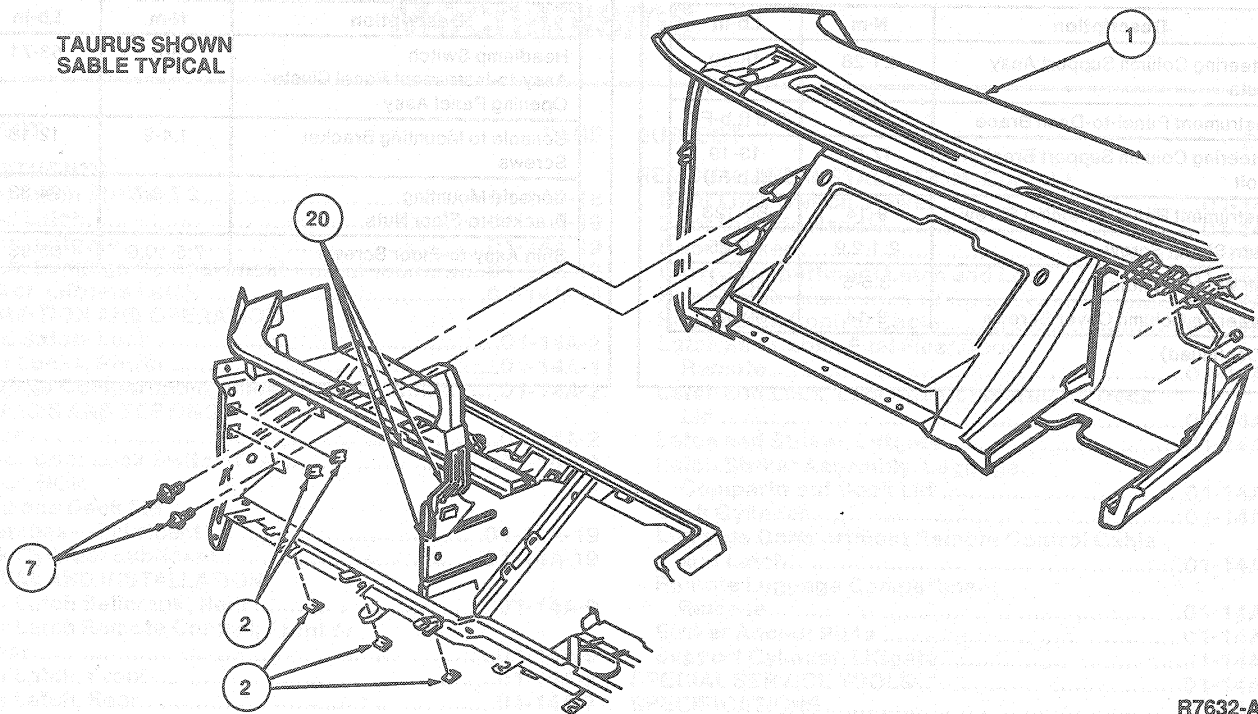


DISASSEMBLY AND ASSEMBLY (Continued)

Taurus

TAURUS SHOWN  
SABLE TYPICAL



R7632-A

Item	Part Number	Description
1	4320	Instrument Panel Assy
2	N803685-S11	Nut M4.2 x 1.41 Tapping
3	N802538-S100	U-Nut M4.2 x 1.41 Tapping
4	N806954-S100	U-Nut M4.2 x 1.41 P/T
5	45G54	Instrument Panel Defroster RH Side Grille Assy
6	18A672	Demister RH Hose
7	N803875-S36	Screw M4.8 x 1.59 x 16 Hex Flg. Tap
8	19893	Instrument Panel RH Register
9	N803273-S2	Bolt M4 x 0.7 x 14 Hex Hd and Con Washer
10	15A563	Glove Compartment Lamp Assy
11	N803876-S36B	Screw M4.2 x 1.41 x 19 Hex Flg Tap
12	6024	Glove Compartment Door Assy
13	4810	Instrument Panel Ash Receptacle Assy

Item	Part Number	Description
14	N803876-S36B	Screw M4.2 x 1.41 x 19 Hex Flg Tap
15	56930-S36B	Screw M4.2 x 1.41 x 19 Rd Washer Hd Tap
16	4608	Center Finish Panel Assy
17	N620479-S2	Nut M5 x 0.8 Hex Flg Lock P/T
18	391115-S100	External Retainer (12 Req'd)
19	2B658	Brake Release Cable Handle Assy
20	4545	Instrument Panel Reinforcement Assy
21	N801460-S36B	Screw M4.2 x 1.41 x 26 Washer Hex Hd
22	18D640	Demister LH Hose
23	45G55	Instrument Panel Defroster LH Side Grille Assy
24	46B82	Steering Column Insulator
25	N802539-S100	U-Nut M4.2 x 1.41 T/P
26	14B100	Fuse Junction Panel Hinge Assy
27	—	Protective Strip

(Continued)