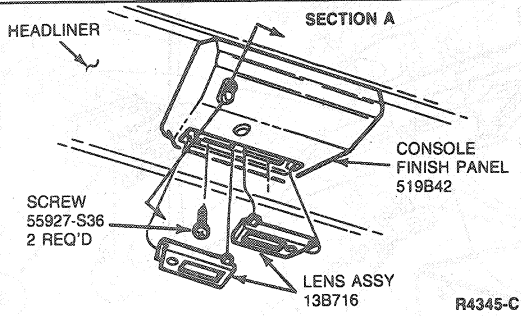
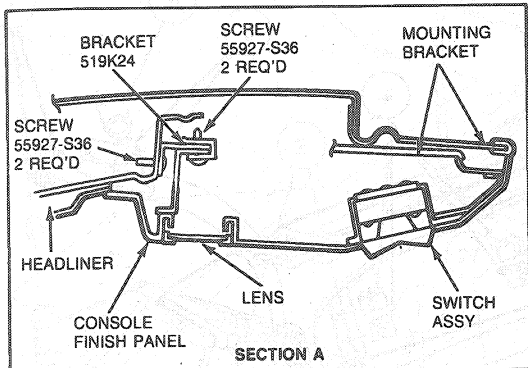


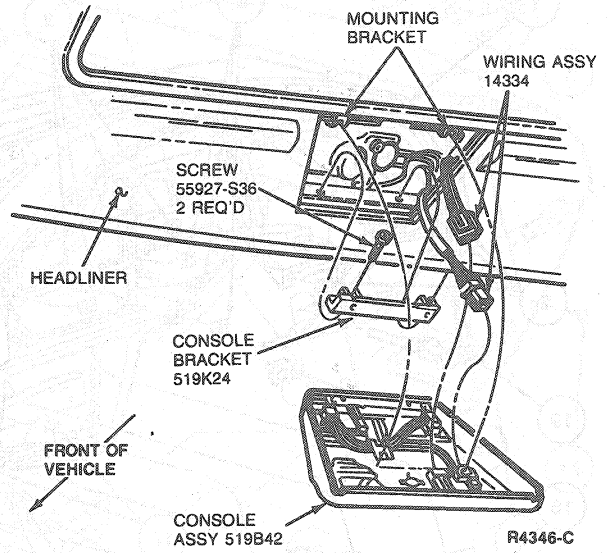
**REMOVAL AND INSTALLATION (Continued)**

2. Remove two console retaining screws (one inside each lens opening).



3. Remove console by sliding up and to rear of vehicle to disengage from mounting bracket.

4. Disconnect electrical connections.
5. To install, reverse Removal procedure.



**DISASSEMBLY AND ASSEMBLY**

**NOTE:** Refer to the following illustrations when disassembling or assembling the instrument panel.