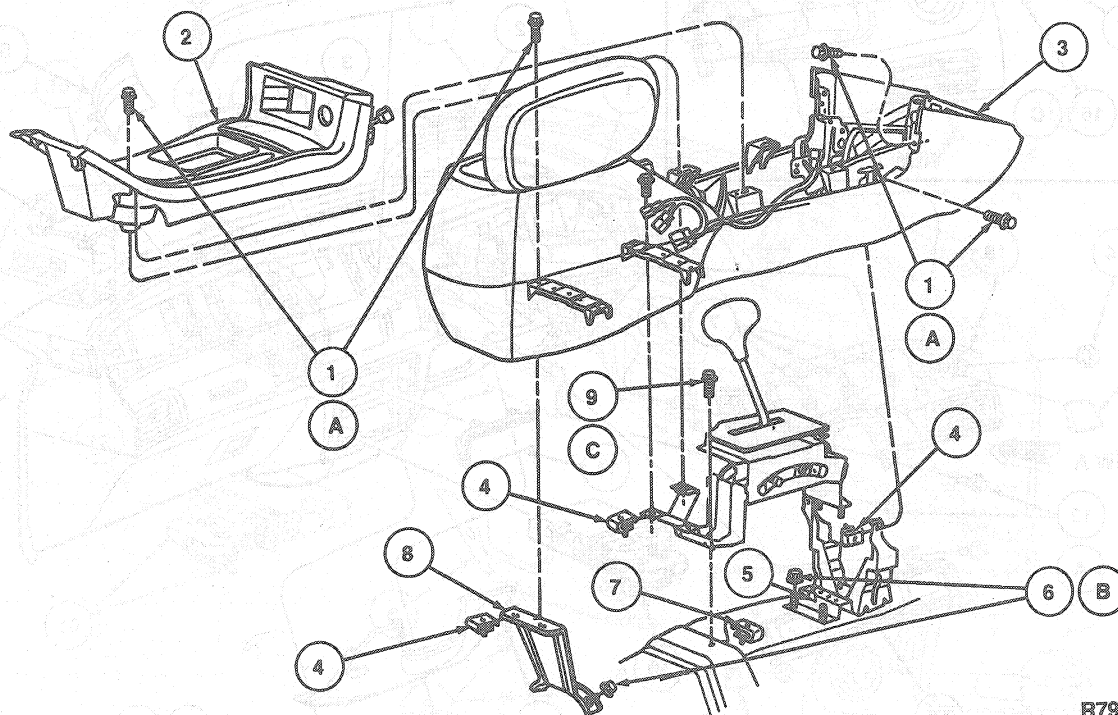


REMOVAL AND INSTALLATION (Continued)

- Remove eight console to floor bracket retaining screws. The two rear screws are under the mat in the rear storage bin.

- Disconnect all necessary electrical connectors and remove console.
- To install, reverse Removal procedure.



R7995-A

Item	Part Number	Description
1A	N610939-S36B	Screw and Washer Assy (9 Req'd)
2	44F06	Console Top Finish Panel
3	45A06	Console Assy
4	N802538-S100	U-Nut (7 Req'd)
5	45A46	Front Console Mounting Bracket
6B	N806543-S43	Nut (7 Req'd)
7	N800854-S100	U-Nut (2 Req'd)

Item	Part Number	Description
8	45W34	Rear Console Mounting Bracket
9C	N606676-S2	Bolt and Washer Assy (2 Req'd)
A		Tighten to 1.4-2 N-m (12-18 Lb-In)
B		Tighten to 2.7-3.7 N-m (24-33 Lb-In)
C		Tighten to 7.5-10.5 N-m (66-93 Lb-In)

(Continued)

Console Armrest

Removal and Installation

- Open armrest door and remove two hinge-to-console retaining screws. Remove armrest door.
- Remove armrest base.
- To install, reverse Removal procedure.

Console Assembly, Roof

Removal and Installation

- Remove lamp lenses by inserting a flat-blade screwdriver in one of the notches on the side of each lens.