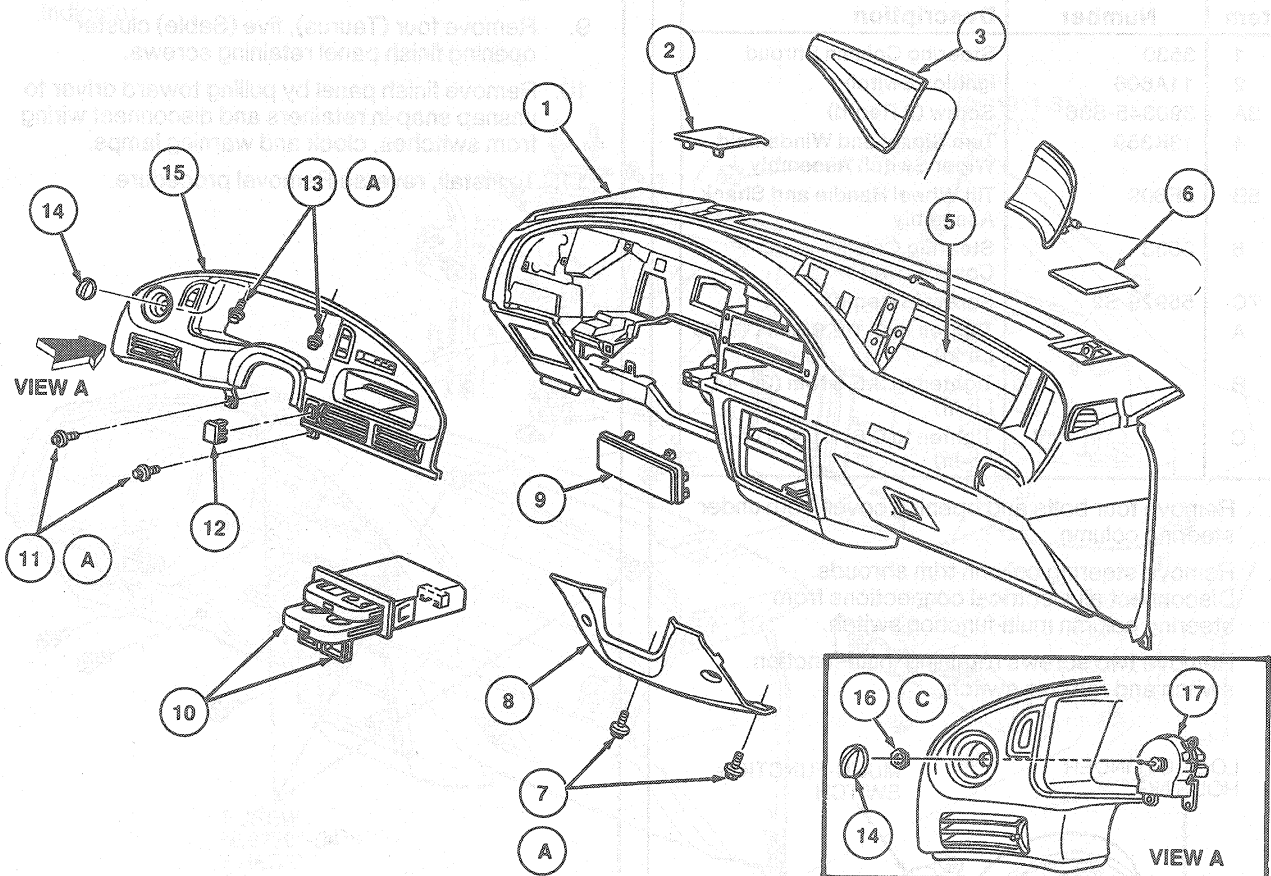


REMOVAL AND INSTALLATION (Continued)

(Continued)

Taurus



R7618-B

Item	Part Number	Description
1	4304	Instrument Panel Assy
2	45G11	LH Quarter Finish Panel
3	44A91	LH Upper Finish Panel
4	44A90	RH Upper Finish Panel
5	—	Passenger Air Bag Restraint Module Assy
6	45G10	RH Quarter Finish Panel
7B	N8067 15-S36B	Screw 4 (Req'd)
8	46A72	Cover and Pad Assy I/P-Steering Column Opening
9	4371	Instrument Panel Radio Opening Cover
10	6202	Utility Tray

(Continued)

Item	Part Number	Description
11A	N804306-S36B	Screw (2 Req'd)
12	44F58	Instrument Panel Control Opening Cover Assy
13A	N804306-S36B	Screw (2 Req'd)
14	11666	Light Switch Knob Assy
15	44D70	Instrument Panel Cluster Opening Panel Assy
16C	N803442-S36	Nut
17	11654	Headlamp Switch Assy
A		Tighten to 2-3 N·m (18-26 Lb·In)
B		Tighten to 9-14 N·m (80-123 Lb·In)
C		Tighten to 6-8 N·m (53-71 Lb·In)