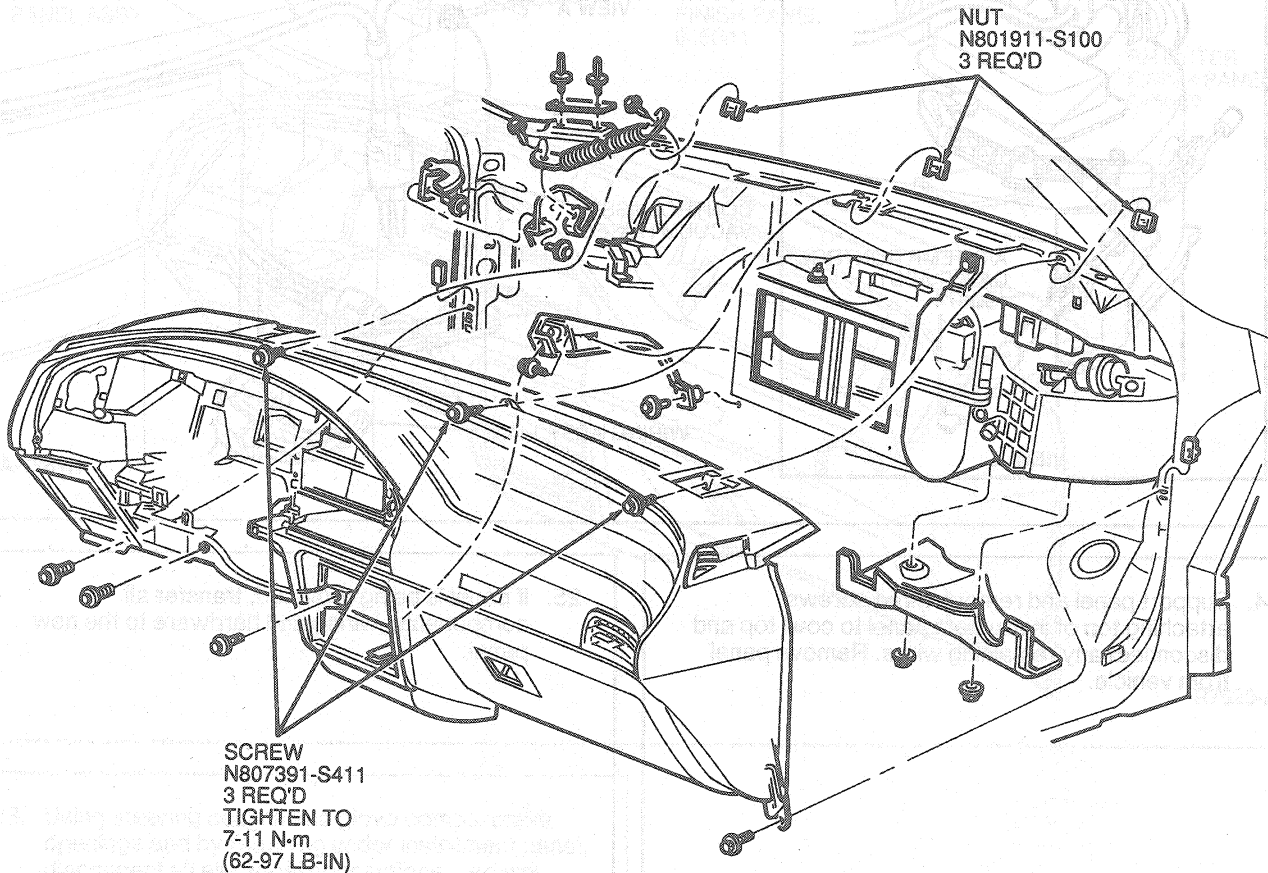


REMOVAL AND INSTALLATION (Continued)

26. To install, reverse Removal procedure. Check operation of all components including air bag indicator.

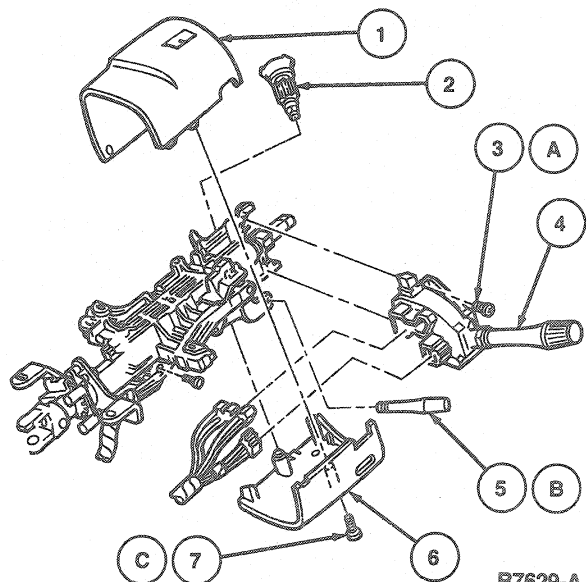


R7628-B

Cluster Finish Panel

Removal and Installation

1. Disconnect positive battery cable.
2. Engage parking brake.
3. Remove ignition lock cylinder.
4. If equipped with tilt column, tilt column to full down position and remove tilt lever.



R7629-A