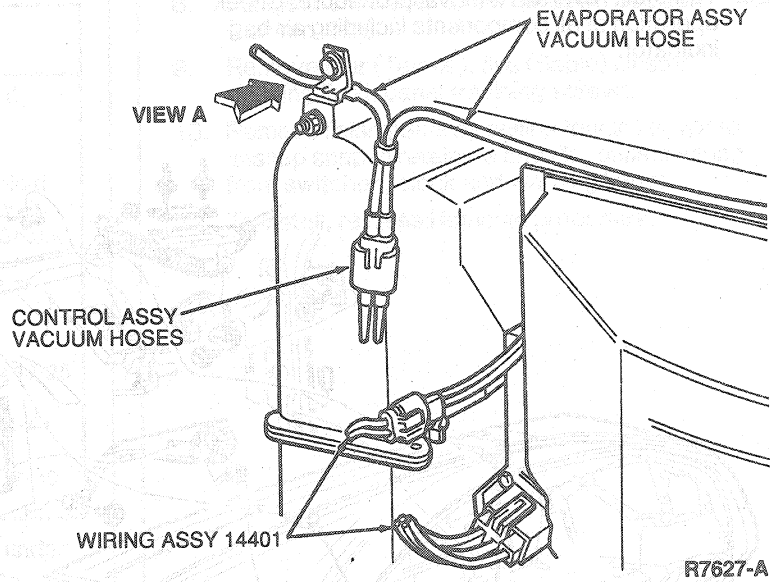
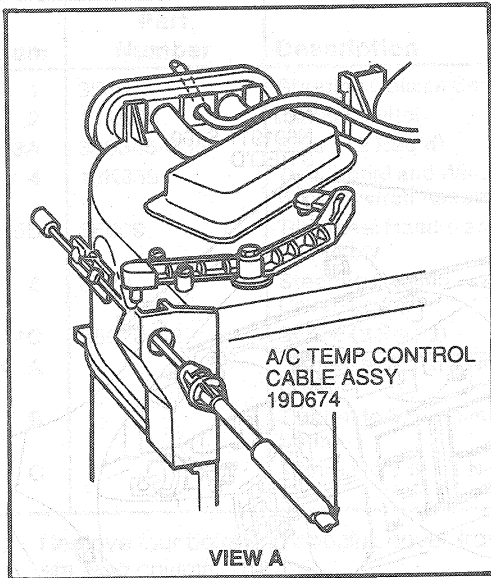


REMOVAL AND INSTALLATION (Continued)



24. Support panel and remove three screws attaching top of instrument panel to cowl top and disconnect any remaining wires. Remove panel from vehicle.

25. If panel is being replaced, transfer all components, wiring and hardware to the new panel.

