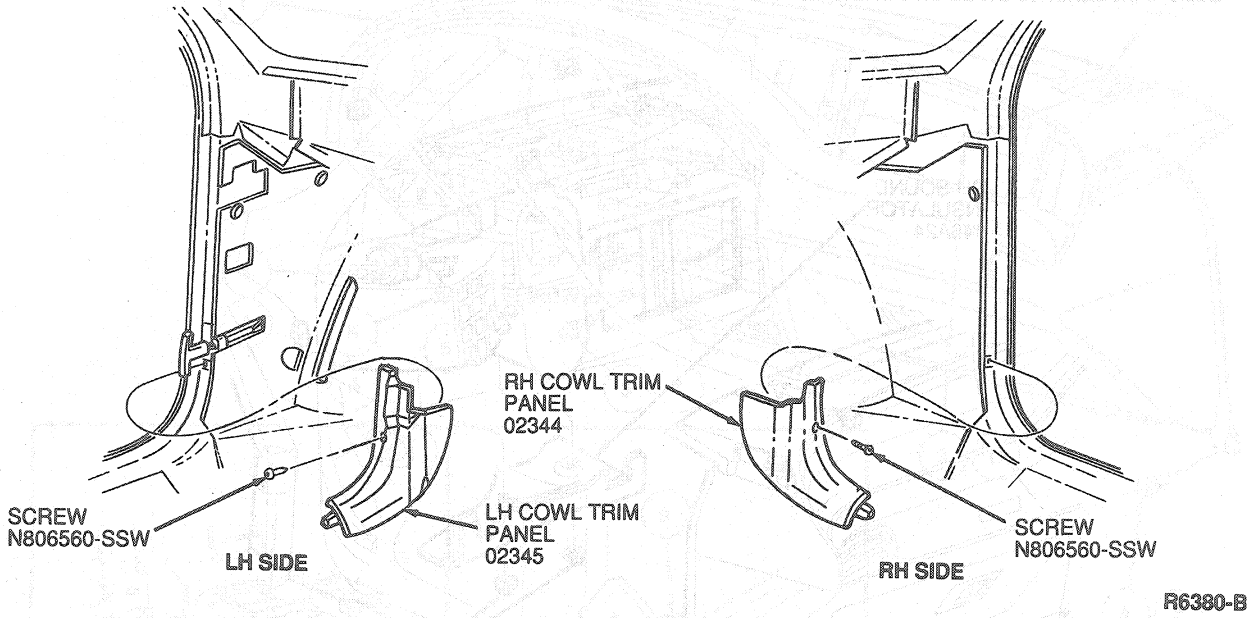


REMOVAL AND INSTALLATION (Continued)

19. Disconnect wires from instrument panel at RH and LH cowl sides.



R6380-B

20. Remove one screw retaining instrument panel to LH side.

