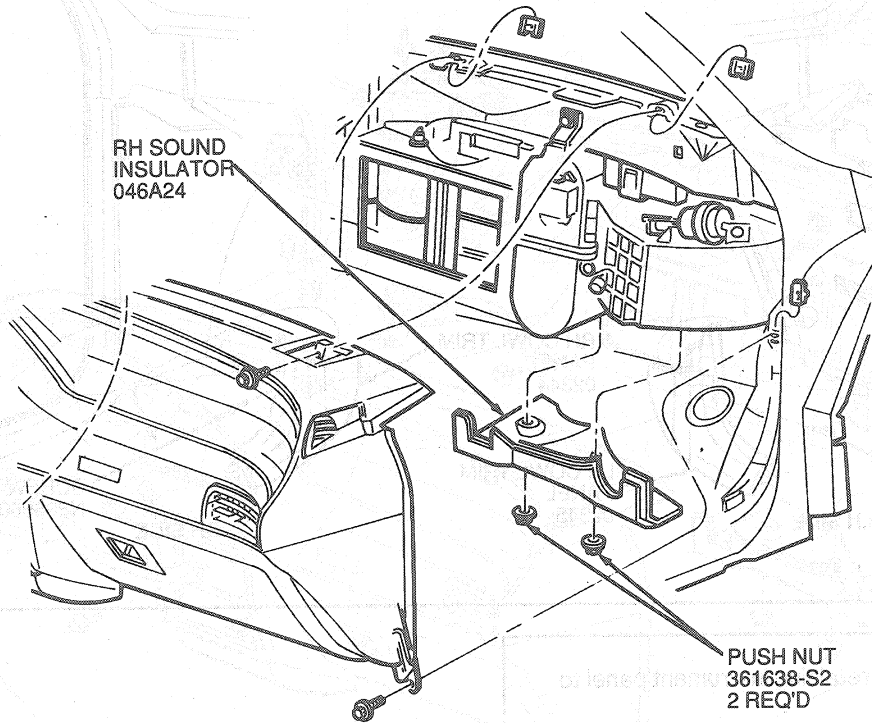
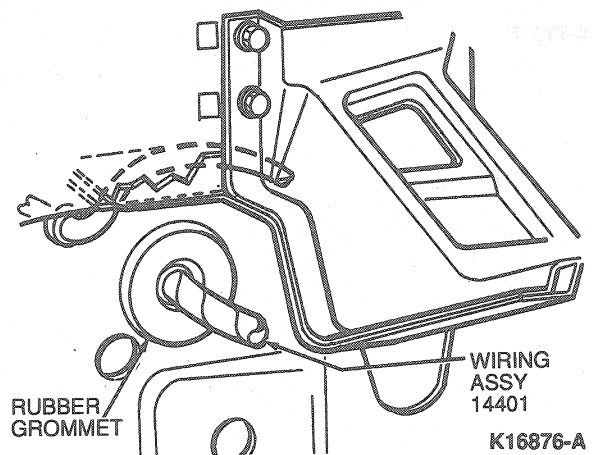


REMOVAL AND INSTALLATION (Continued)

14. Remove sound insulator under glove compartment by removing two pushnuts that secure insulator to studs on climate control case.



15. Remove three screws attaching glove compartment assembly to instrument panel and remove door assembly.
16. Remove air cleaner, battery and battery tray.
17. Disconnect wires of main wire loom in engine compartment. Disengage rubber grommet from dash panel then feed wiring through hole in dash panel into passenger compartment.



18. Remove RH and LH cowl side trim panels.