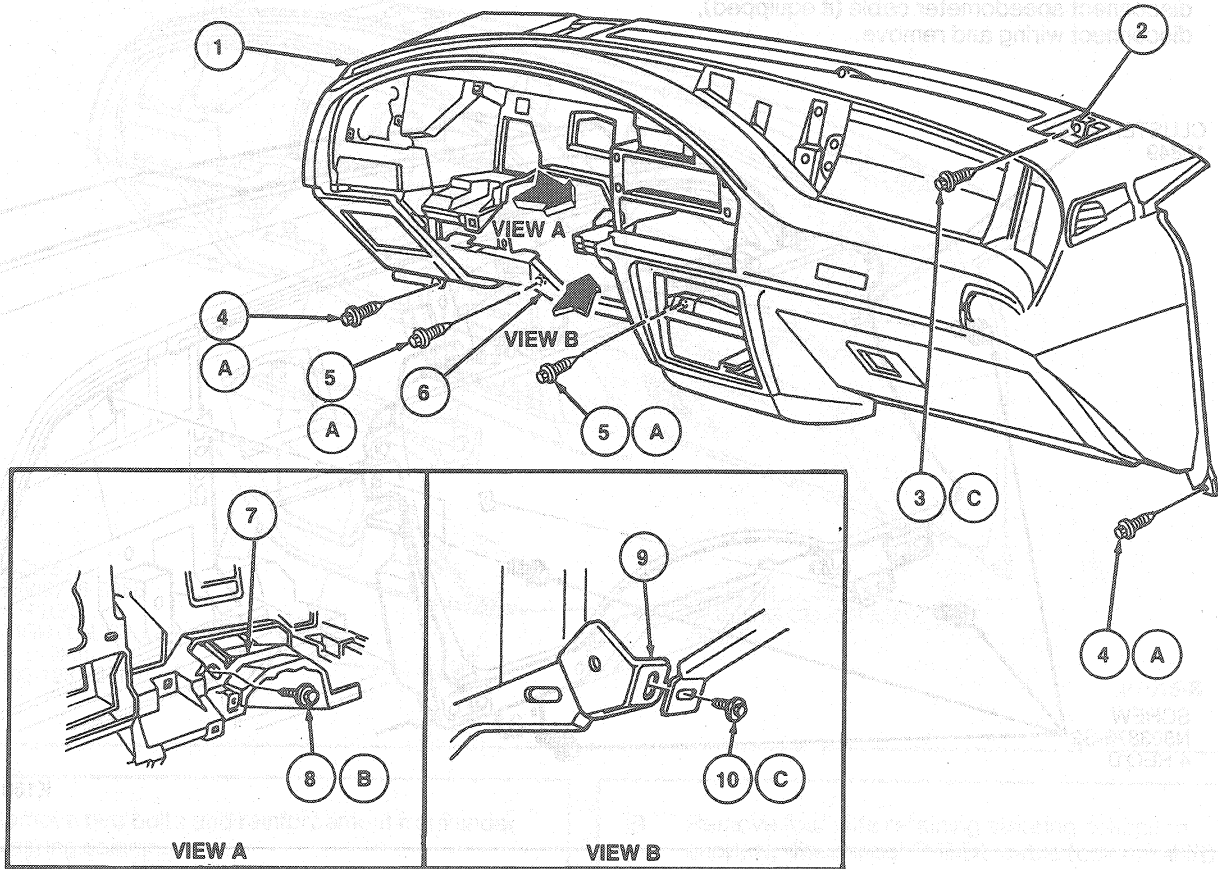


REMOVAL AND INSTALLATION (Continued)

(Continued)



R6378-C

Item	Part Number	Description
1	4304	Instrument Panel Assy
2	N806886-S100	Nut (3 Req'd)
3C	N807391-S411	Screw and Washer (3 Req'd)
4A	N807391-S411	Screw and Washer (1 Req'd Each Side)
5A	N606678-S36B	Bolt (2 Req'd)
6	—	Reinforcement
7	—	Steering Column Support Bracket

Item	Part Number	Description
8B	N606689-S58	Bolt (1 Req'd)
9	44F48	Brace Assy
10C	N800346-S58	Bolt (1 Req'd)
A		Tighten to 9-14 N·m (80-123 Lb·in)
B		Tighten to 17-27 N·m (13-19 Lb·ft)
C		Tighten to 7-11 N·m (62-97 Lb·in)

(Continued)