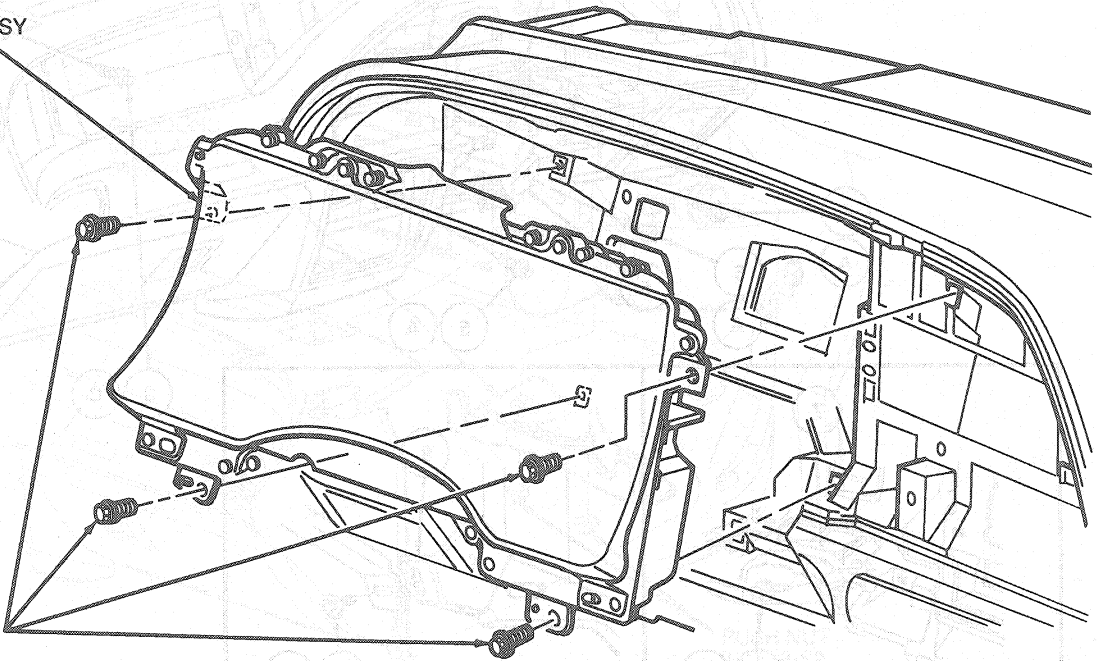


REMOVAL AND INSTALLATION (Continued)

11. Remove four retaining screws from cluster, disconnect speedometer cable (if equipped), disconnect wiring and remove.

CLUSTER ASSY
10849

SCREW
N803876-S2
4 REQ'D



K16875-A

12. Remove one bolt at steering column opening attaching instrument panel to brace.

Item Number	Description	Qty
1	Instrument Panel Assy	1
2	Instrument Panel Brace	1
3	Instrument Panel Mounting Bolt (2 Req'd)	2
4	Instrument Panel Mounting Nut (2 Req'd)	2
5	Instrument Panel Mounting Washer (2 Req'd)	2
6	Instrument Panel Mounting Pad (2 Req'd)	2
7	Instrument Panel Mounting Bolt (2 Req'd)	2
8	Instrument Panel Mounting Nut (2 Req'd)	2
9	Instrument Panel Mounting Washer (2 Req'd)	2
10	Instrument Panel Mounting Pad (2 Req'd)	2

13. Remove one instrument panel brace retaining bolt (under the radio area).

Item Number	Description	Qty
1	Instrument Panel Assy	1
2	Instrument Panel Brace	1
3	Instrument Panel Mounting Bolt (2 Req'd)	2
4	Instrument Panel Mounting Nut (2 Req'd)	2
5	Instrument Panel Mounting Washer (2 Req'd)	2
6	Instrument Panel Mounting Pad (2 Req'd)	2
7	Instrument Panel Mounting Bolt (2 Req'd)	2
8	Instrument Panel Mounting Nut (2 Req'd)	2
9	Instrument Panel Mounting Washer (2 Req'd)	2
10	Instrument Panel Mounting Pad (2 Req'd)	2