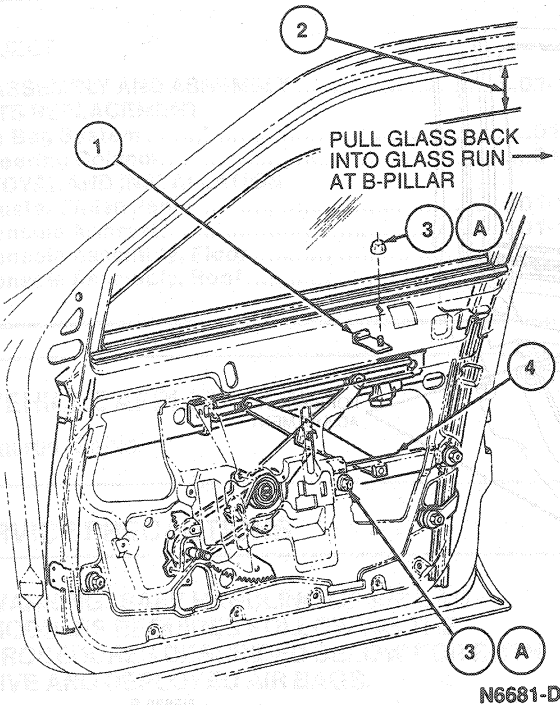


ADJUSTMENTS (Continued)

8. Cycle door glass to ensure proper operation.



Item	Part Number	Description
1	23336	Glass Stabilizer Bracket
2	—	Approximately 75mm (3 inches)
3A	N621907-S36	Nut and Washer Assy
4	23230	Equalizer Bracket
A		Tighten to 7-11 N·m (5-8 Lb-Ft)

Door Glass, Rear

In-and-Out

1. Remove door trim panel and watershield. Refer to Section 01-05.
2. Loosen two screws retaining lower glass bracket.
3. Position glass in-or-out as required.
4. Tighten bracket retaining screws.
5. Install door trim panel and watershield. Refer to Section 01-05.

Fore-and-Aft

1. Remove door trim panel and watershield. Refer to Section 01-05.
2. Loosen tube run upper retaining screw and washer assembly.
3. Loosen lower nut and washer assembly retaining rear door run and bracket assembly to inner door panel.
4. Adjust glass fore-or-aft as required.
5. Tighten lower nut and washer assembly.
6. Tighten screw and washer assembly.
7. Install door trim and watershield. Refer to Section 01-05.

Window Opening

1. Remove door trim panel and watershield. Refer to Section 01-05.
2. Lower glass approximately 50mm (2 inch) from full-up position.
3. With three retension points loosely installed, set the glass forward into B-pillar. Tighten lower run nut and washer No. 1, then No.'s 2 and 3.