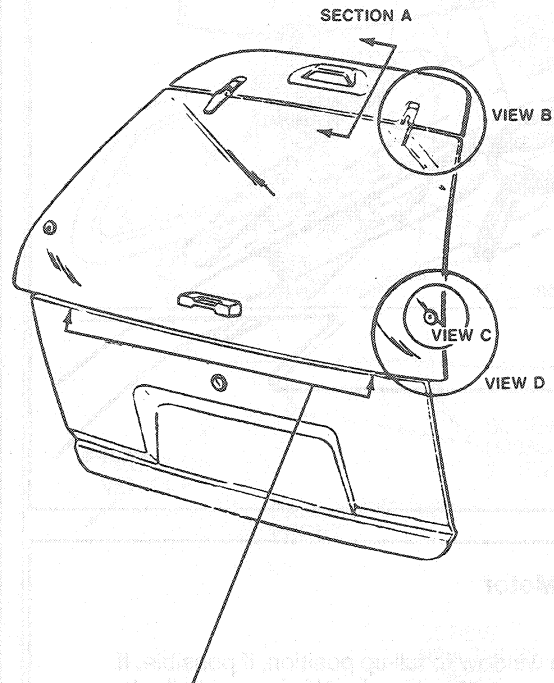
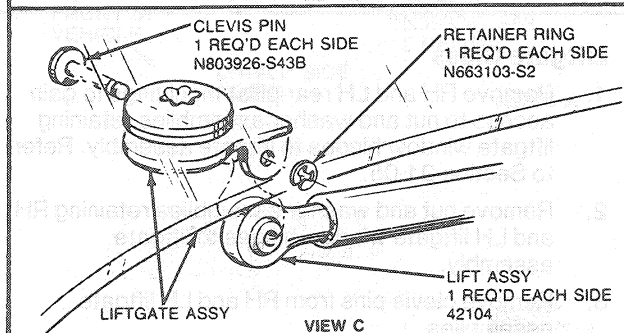
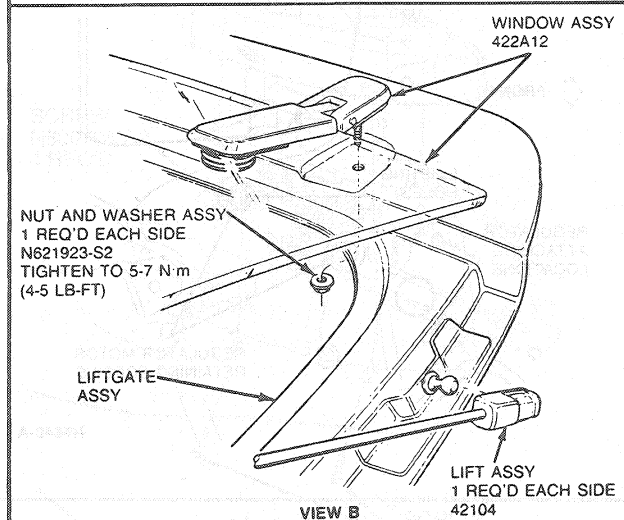
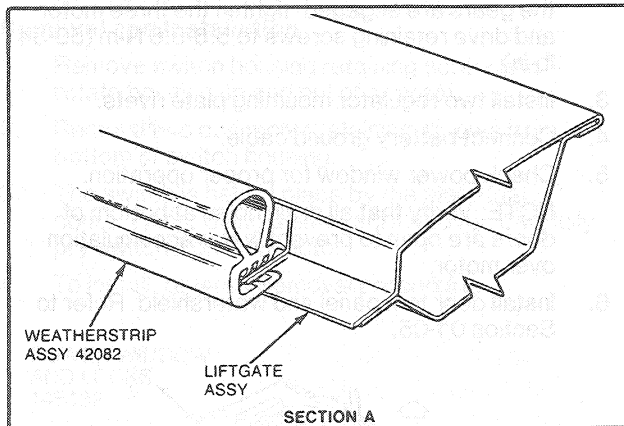
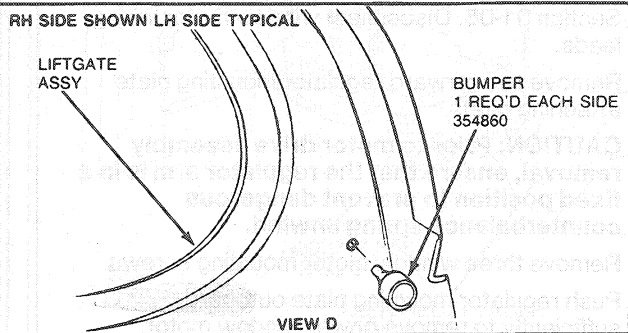


## REMOVAL AND INSTALLATION (Continued)

5. To install, reverse Removal procedure.



NOTE:  
COMPRESS EXCESS LENGTH OF WEATHERSTRIP  
ALONG LOWER BELT AREA.



N6947-A

### Defroster, Rear Control Assembly Removal and Installation

1. Remove cluster finish panel.

2. Disconnect electrical connector.
3. Depress spring locking tabs on switch and push out of finish panel.
4. To install, reverse Removal procedure.