

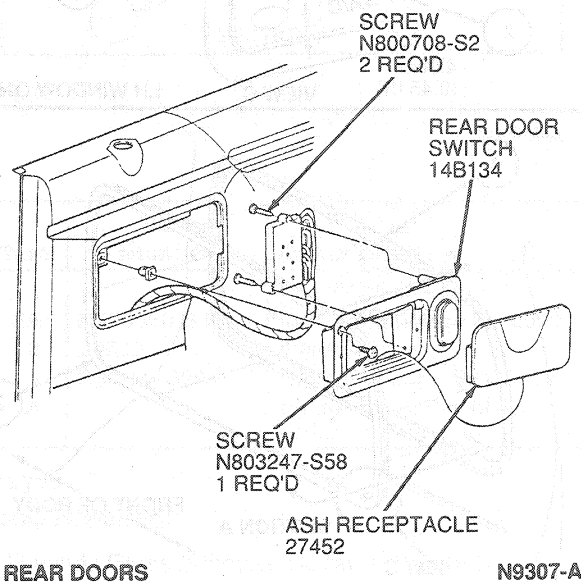
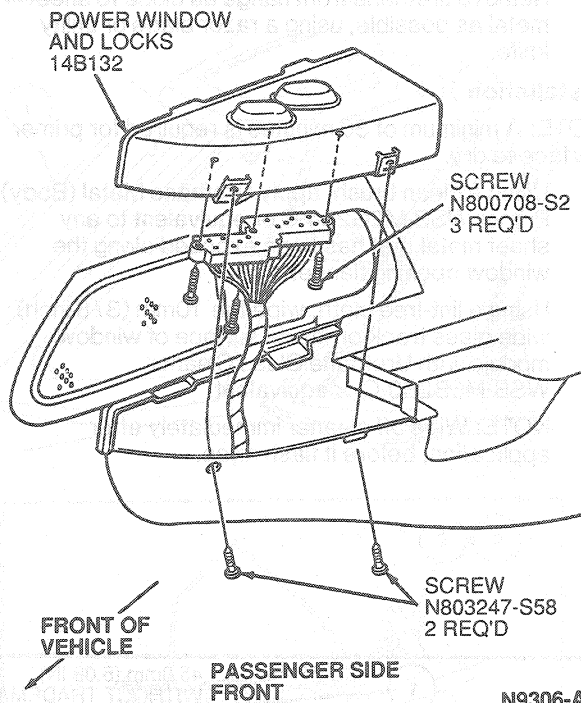
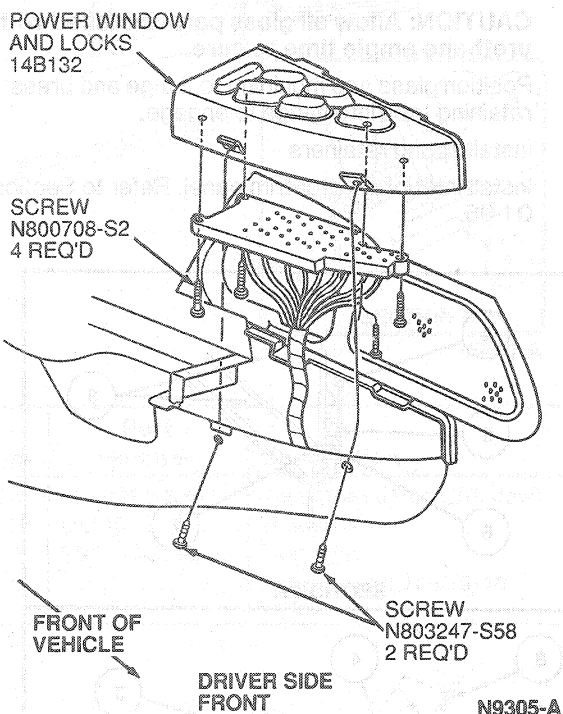
REMOVAL AND INSTALLATION (Continued)

Switch

Window Switch

Removal and Installation

1. Remove switch housing retaining screw and rotate housing up and out of armrest.
2. Remove two connector retaining screws from bottom of switch housing.
3. The switch is held in place by the electrical contact pins. Using a small screwdriver, carefully pry switch from connector.
4. To install, reverse Removal procedure.



Part Number	Description	Quantity
W3B-MC10-10-5	Window Switch Connector	1
W3B-MC10-10-5	Window Switch Connector	1
W3B-MC10-10-5	Window Switch Connector	1
W3B-MC10-10-5	Window Switch Connector	1
W3B-MC10-10-5	Window Switch Connector	1
W3B-MC10-10-5	Window Switch Connector	1
W3B-MC10-10-5	Window Switch Connector	1
W3B-MC10-10-5	Window Switch Connector	1
W3B-MC10-10-5	Window Switch Connector	1
W3B-MC10-10-5	Window Switch Connector	1

Window Switch Connector Wire

Removal and Installation

If replacement of the switch connector or a wire leading to the connector is necessary, the wire(s) can be removed from the connector without disassembling the connector.

1. Insert needle-like tool into edge of terminal hole.
2. Bend terminal in.