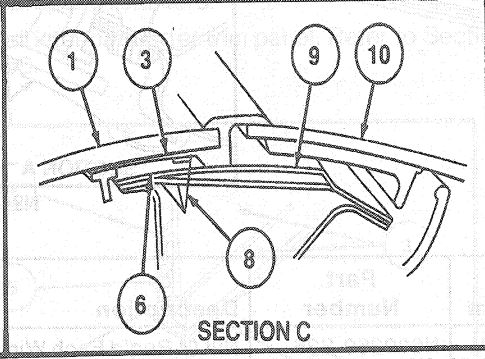
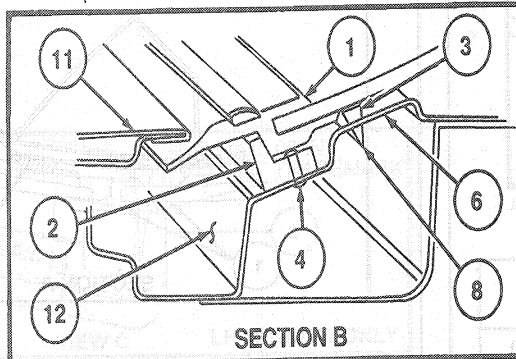
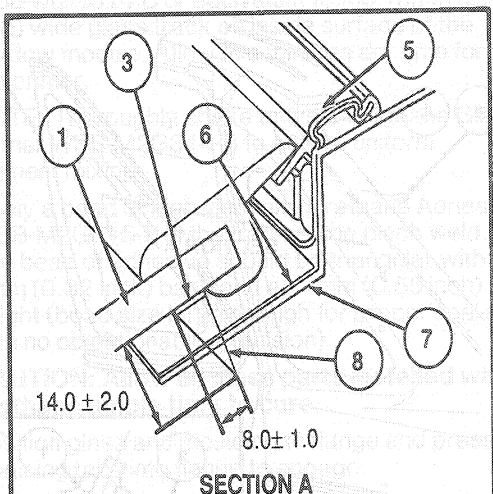
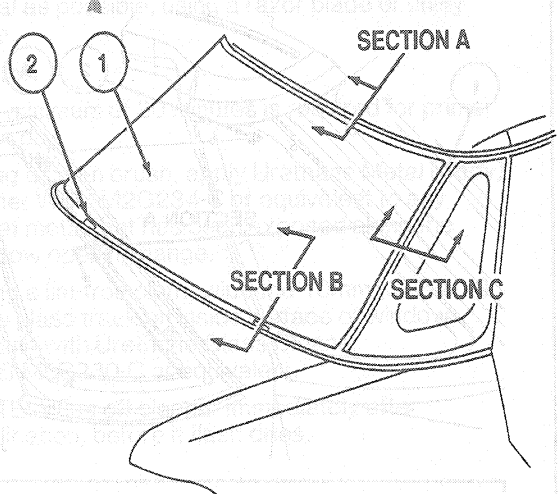


REMOVAL AND INSTALLATION (Continued)

Sable Sedan



N9485-A

Item	Part Number	Description
1	422A12	Window Assy
2	42310	Back Window Lower Stop (2 Req'd)
3	WSB-M5B280-C2 (Red)	Urethane Glass Primer
	WSB-M2G314-B (Black)	Urethane Glass Primer
4	372820-S36B	Rivet (2 Req'd)
5	—	Roof Moulding Assy

(Continued)

Item	Part Number	Description
6	WSB-M2G234-C	Urethane Body Primer (Black)
7	—	Roof Body Panel
8	WSB-M2G316-B	High Viscosity Urethane Adhesive
9	—	Quarter Panel
10	—	Quarter Window Assy
11	—	Luggage Compartment Deck Lid
12	—	Package Tray Panel

Quarter Window

Sedan

Removal and Installation

WARNING: SAFETY GLASSES AND GLOVES MUST BE WORN.

1. Remove roof side rear interior trim panel. Refer to Section 01-05.
2. Remove four nut and washer assemblies retaining quarter window.

3. Remove quarter window.

NOTE: If the window seal has been damaged, replace with new seal assembly.

4. To install, reverse Removal procedure. Tighten nut and washer assemblies to 1-2 N·m (9-18 lb-ft).