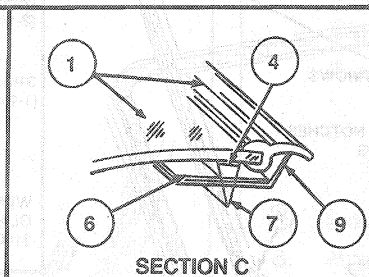
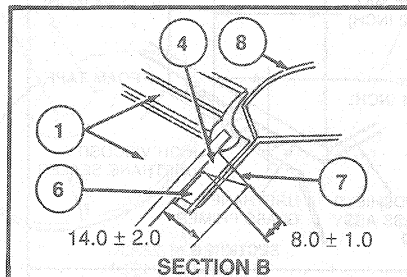
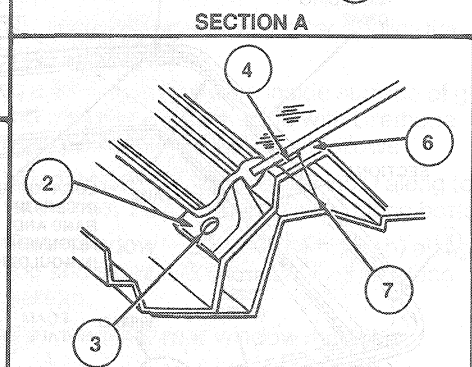
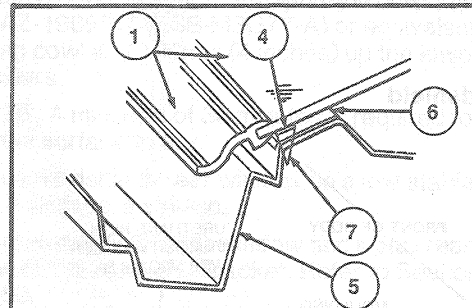
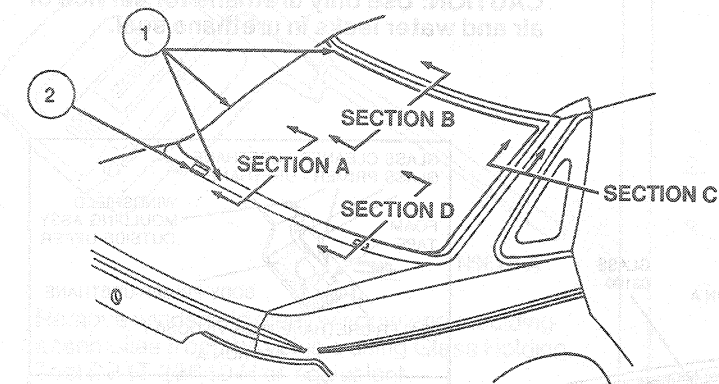


REMOVAL AND INSTALLATION (Continued)

(Continued)

Window, Rear

Taurus Sedan



N9484-A

Item	Part Number	Description
1	422A12	Window Assy
2	42310	Back Window Lower Stop (2 Req'd)
3	372820-S36B	Rivet (2 Req'd)
4	WSB-M2G314-B (Black) WSB-M53280-C2 (Red)	Urethane Glass Primer Urethane Body Primer

Item	Part Number	Description
5	—	Package Tray Panel
6	WSB-M2G234-C	Urethane Body Primer (Black)
7	WSB-M2G316-B	High Viscosity Urethane Adhesive
8	—	Roof Panel
9	—	Quarter Panel

(Continued)

8. Check for any damage to the metal or frame of the rear window or may cause breakage. Service body if necessary.

Installation

NOTE: Test urethane primer with a utility knife or razor blade and scrape away and trap of out. If the urethane has cured it is not necessary to remove all the urethane when reapplying the primer. However, at no point should the existing urethane material exceed 1.2mm (0.05 inch).

9. Apply primer to the back of the window glass and the body of the window.

10. Apply an even coat of urethane primer to the back of the window glass and the body of the window. Press the window into the body of the window. The urethane primer will be around 40 psi. The urethane primer will be around 14 mm (0.55 inch) high and 1.2 mm (0.05 inch) thick.

CAUTION: Allow all glass parts installed with urethane 24 hours to cure.