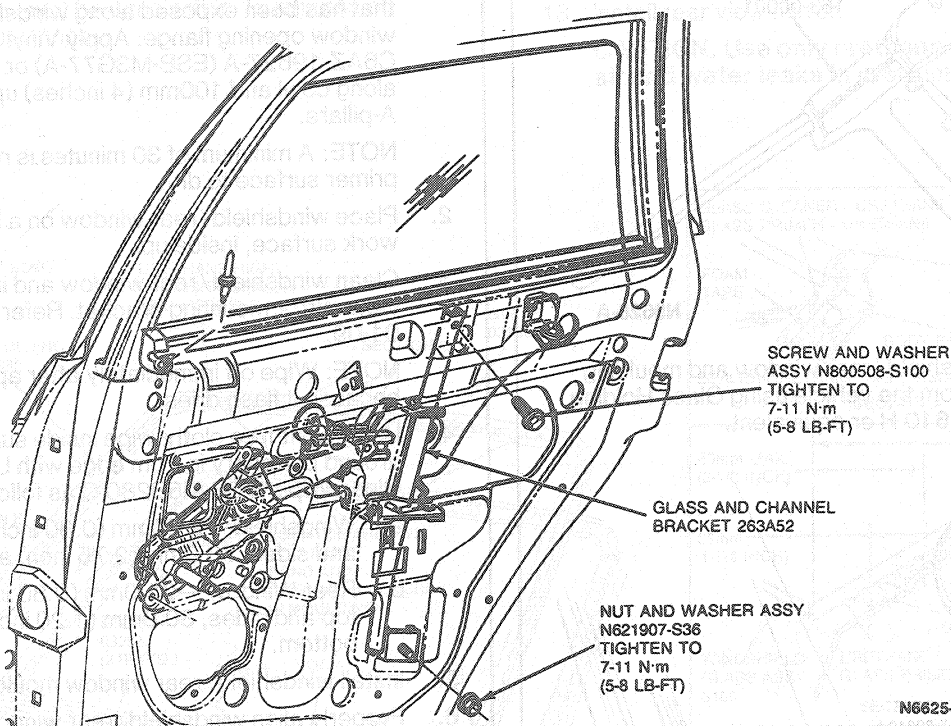


## REMOVAL AND INSTALLATION (Continued)

5. Install door trim panel and watershield. Refer to Section 01-05.



### Mouldings

The windshield and rear window mouldings on most models are on the edge of glass. The moulding can be removed with the glass.

**NOTE:** Sable rear window does not have removable mouldings.

### Windshield/Rear Window Glass—Urethane Seal

#### Removal

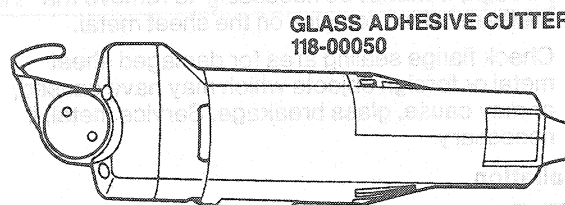
#### Tools Required:

- Glass Holding Tool D81T-33610-H
  - Rotunda Deluxe Glass Adhesive Cutter 163-00001
  - Rotunda Glass Adhesive Cutter 118-00050
1. Remove windshield wiper arms and blades, if rear window is being removed. Disconnect heated rear window on equipped models.
  2. Remove mouldings.
  3. Remove leaf screen. On rear window, remove finisher portion of moulding by zipping it out of moulding slot.

4. Remove windshield rear view mirror.
  - a. Loosen mirror mounting bracket setscrew.
  - b. Pull mirror assembly upward to remove from windshield retainer.
5. Use Rotunda Glass Adhesive Cutter 118-00050, or Rotunda Deluxe Glass Adhesive Cutter 163-00001 or equivalent to cut sealer. Refer to manufacturer's instructions when using tool.

**WARNING: SAFETY GLASSES AND GLOVES MUST BE WORN.**

**CAUTION: Use care to avoid damage to the instrument panel or rear package tray cover panel.**



GLASS ADHESIVE CUTTER  
118-00050

N6999-B