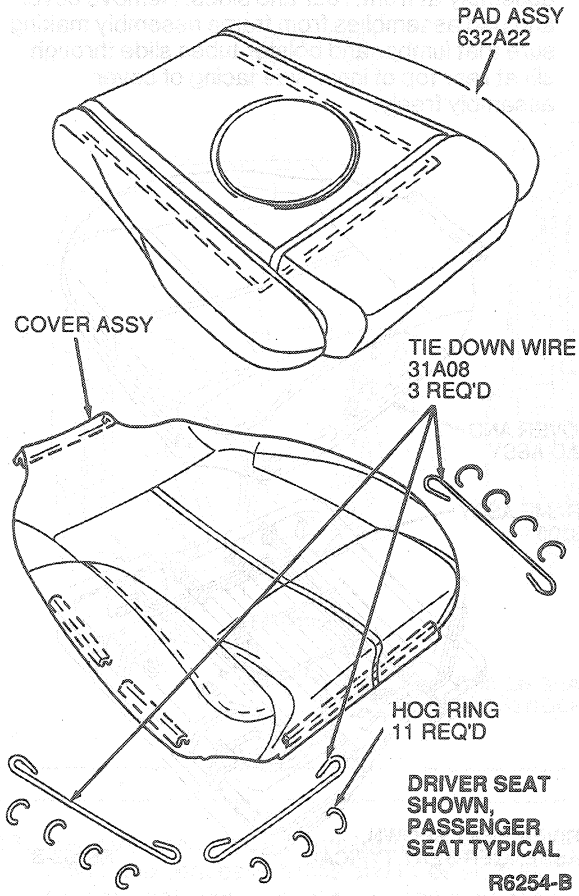
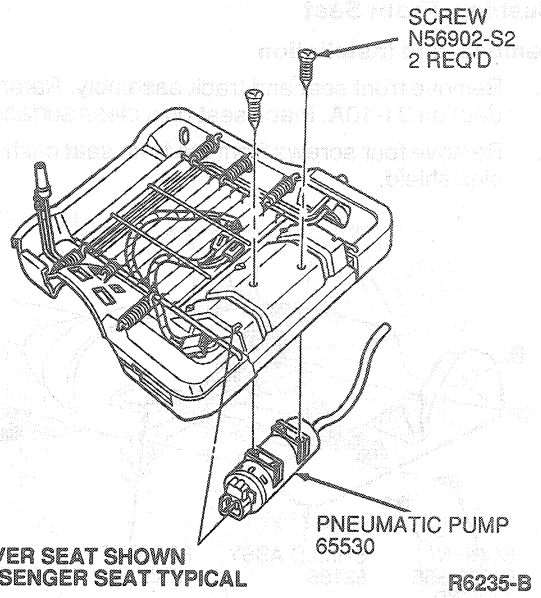


REMOVAL AND INSTALLATION (Continued)

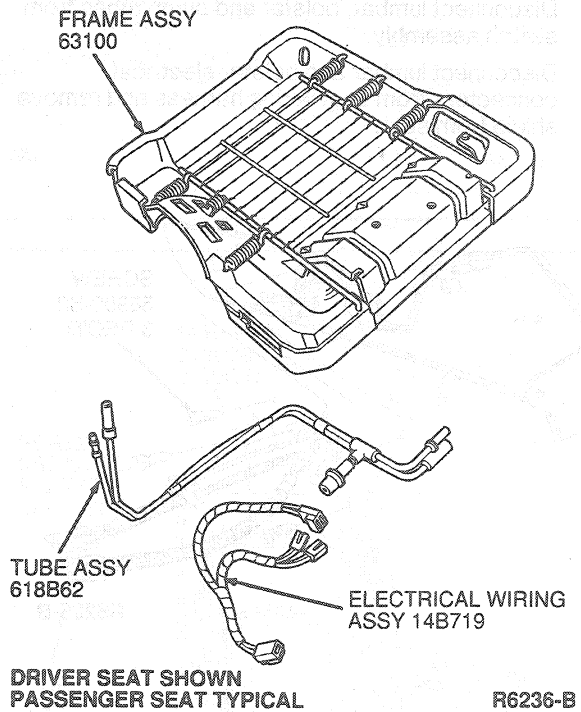
9. Cut three hog rings from front cover wire listing and front pad wire. Remove cover assembly from pad assembly. Remove each side listing tie down wire from each listing and remove front listing tie down wire from front listing.



10. Remove electrical connector from pneumatic pump. Remove two screws from cushion frame and pneumatic pump. Remove pneumatic pump from cushion frame.



11. Remove electrical harness from cushion frame. Remove tubing assembly from cushion frame.



12. To install, reverse Removal procedure.

Lumbar Support Pad

Removal

1. Remove the seat and track assembly. Refer to Section 01-10A. Place the seat on a clean surface.