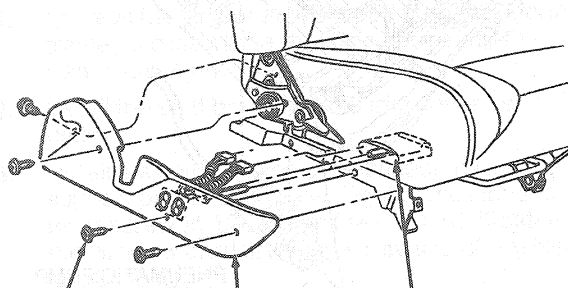


REMOVAL AND INSTALLATION (Continued)

Cushion, Front Seat

Removal and Installation

1. Remove front seat and track assembly. Refer to Section 01-10A. Place seat on a clean surface.
2. Remove four screws from the front seat cushion side shield.



SCREW
56906-S55
4 REQ'D

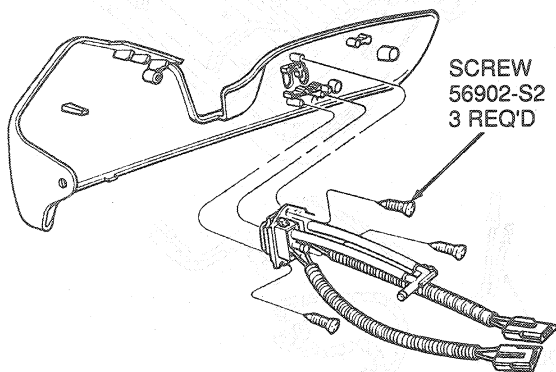
SHIELD ASSY
62186

PRE-CUT
HOLE W/J-RETAINER

PASSENGER SEAT SHOWN
DRIVER SEAT TYPICAL

R6224-B

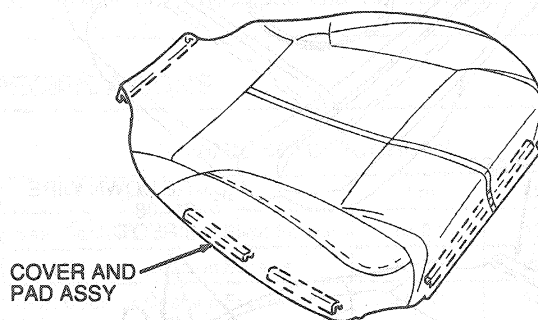
3. Disconnect lumbar, bolster and pump tubes from switch assembly.
4. Disconnect lumbar and bolster electrical connectors from seat wiring harness and remove shield from seat.



SCREW
56902-S2
3 REQ'D

R6225-B

5. Remove two bolts from seat back recliner to cushion frame and track assembly.
6. Disconnect the bolster and lumbar tubes between seat back and cushion frame.
7. Remove J-retainers on cover from cushion frame assembly at front, rear and sides. Remove cover and pad assemblies from frame assembly making sure that lumbar and bolster tubes slide through slit at rear top of inner side facing of cover assembly freely.



COVER AND
PAD ASSY

FRAME ASSY
63100

DRIVER SEAT SHOWN,
PASSENGER SEAT TYPICAL

R6253-B

8. Lift front and sides of cover assembly from pad assembly exposing cover listings and wires embedded in pad assembly. Cut four hog rings from each cover side wire listing and each pad wire.