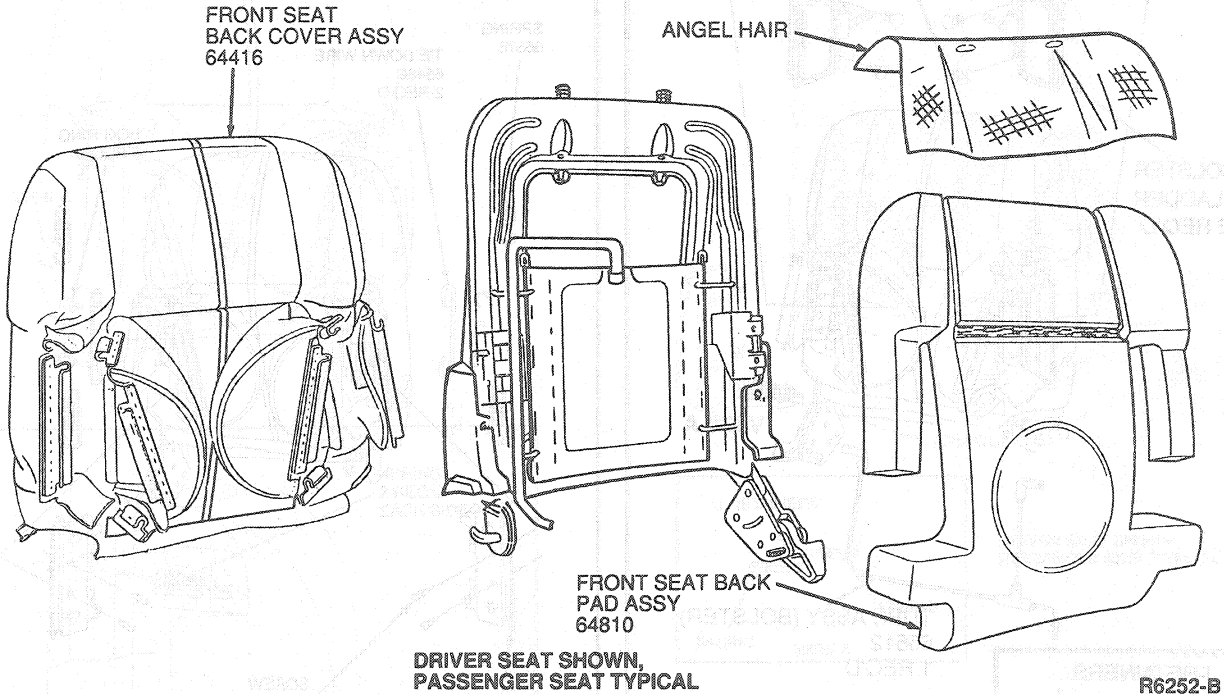
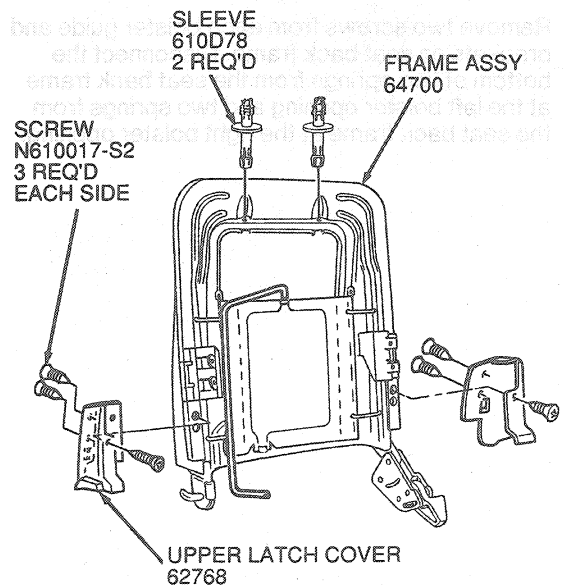


REMOVAL AND INSTALLATION (Continued)

15. Separate hook and loop fastener from seat back trim cover at top center seam from seat back pad. Slip seat trim cover from seat back frame and pad assembly. Remove angel hair from pad. Remove pad from seat back frame and head restraint guide rod sleeves.



16. Remove three screws from the left upper latch cover and seat back frame and three screws from the right upper latch cover and seat back frame.
17. To install, reverse Removal procedure. The removal procedures are listed for the driver's seat, the passenger seat is typical.



DRIVER SEAT SHOWN
PASSENGER SEAT TYPICAL

R6232-B