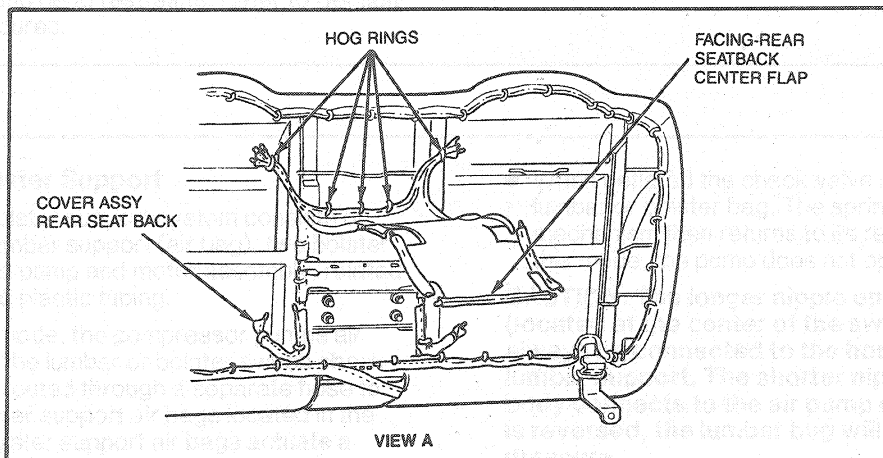
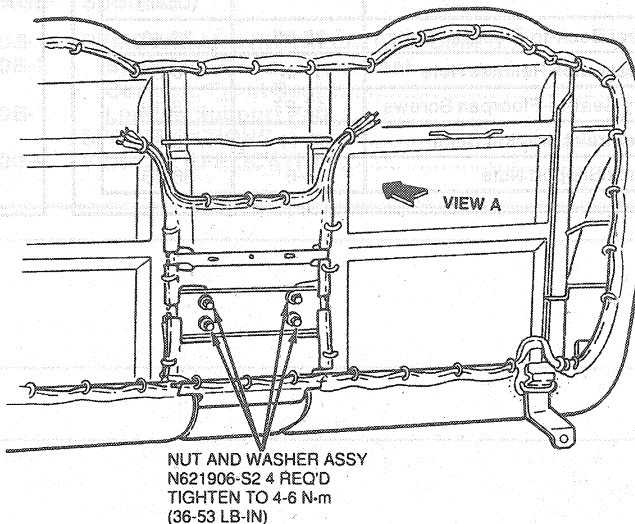
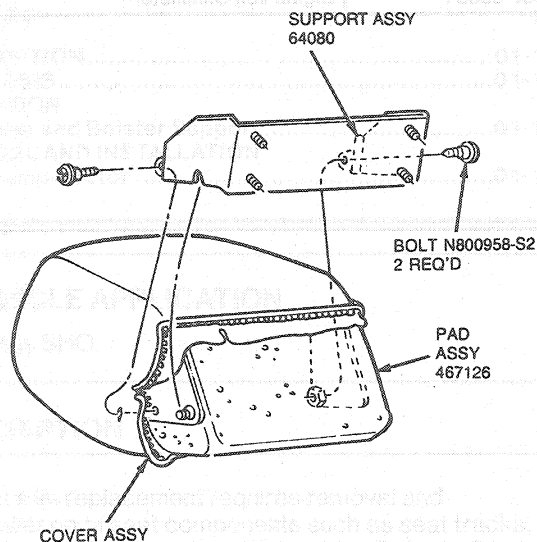


REMOVAL AND INSTALLATION (Continued)

4. Install the rear seat back assembly and the rear seat cushion in the vehicle as outlined.



R4176-F

ADJUSTMENTS

The manual recliner system is modular and does not require adjustments. However, proper lubrication of a hesitant seat back recliner assembly is permitted using Multi-Purpose Grease DOAZ-19584-AA (ESR-M1C159-A and ESB-M1C106-B) or equivalent.

The only authorized service permitted on the recliner mechanism is the following:

1. Tightening of all retaining screws as outlined.
2. Replacement (in entirety) of a damaged or non-functional recliner assembly.
3. Removal of any foreign material, such as tie straps, pieces of foam and trim.

SPECIFICATIONS

TORQUE SPECIFICATIONS

Description	N-m	Lb-Ft
Latch-to-Seat Back Screws	20-43	15-31
Latch-to-Seat Cushion Screws	44-60	31-44
Seat Track Front Bolts	17-23	13-17
Front Inboard Bolt	17-23	13-17
Rear Outboard Nuts	17-23	13-17
Rear Inboard Nut	68-92	50-68
Seat Track-to-Seat Screws	17-23	13-17
Strap and Buckle Assy Nut	30-43	23-31
Rear Seat Pivot Frame Nuts	17-27	13-19
Seat Back Bolts	4.3-6.3	39-55 (Lb-In)

(Continued)