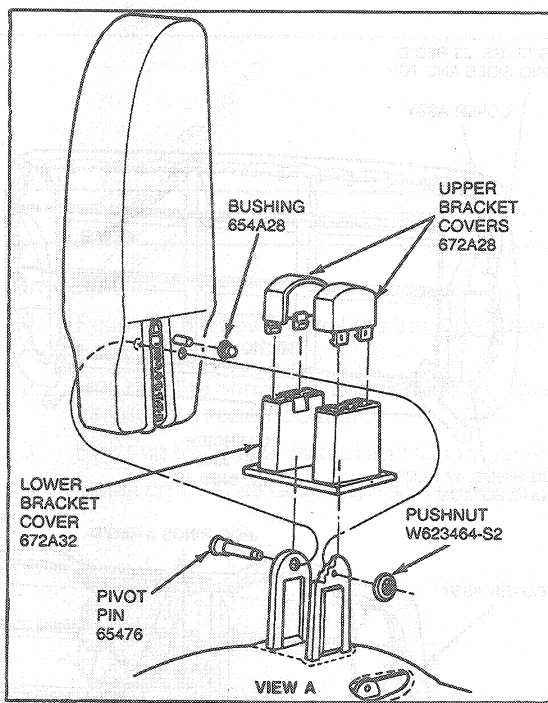
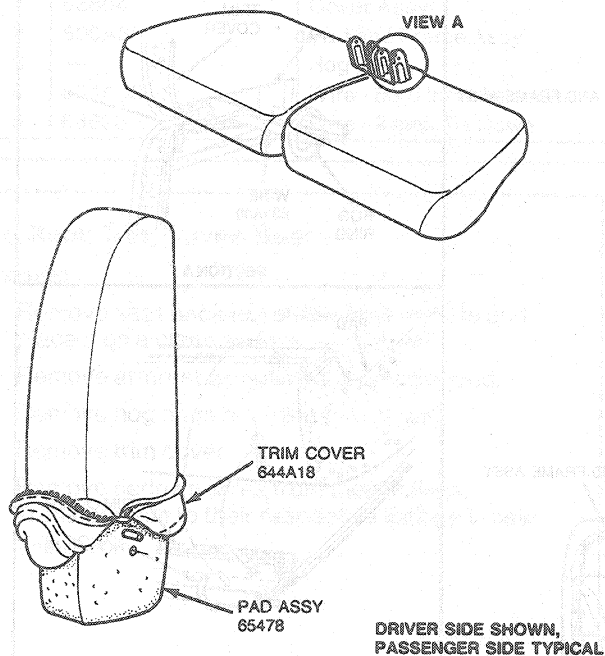


## REMOVAL AND INSTALLATION (Continued)

4. Install upper armrest pivot bracket covers.



## Seat, Rear—Center Armrest Cover

## Removal

1. Remove rear seat cushion and rear seat back assembly from vehicle as outlined.
2. Remove the four nuts retaining the armrest support to the rear seat back and remove the armrest assembly.
3. Remove two pivot pins retaining armrest to support.

4. Unzip the zipper, and slip the cover off the pad and base assembly.

## Installation

1. Slip the new cover over the pad and base assembly and close the zipper.
2. Assemble the center armrest to the support. Install the two pivot pins.
3. Install support assembly on seat back and tighten four retaining nuts to 4-6 N-m (36-53 lb-in).